

PELLETVENT®



PELLET VENT SYSTEMS

PELLETVENT®
CORNVENT™



Engineered Excellence®



PELLETVENT SYSTEMS



PELLETVENT FAMILY OF PRODUCTS

QUALITY CONSTRUCTION

- Rugged unitized construction.
- PelletVent uses .012" 430 stainless steel inner wall and .018" galvalume steel outer wall.
- CornVent uses .012" 304 stainless steel inner wall and .018" galvalume steel outer wall or .016" 304 stainless steel outer wall.

LISTED BY UNDERWRITERS LABORATORIES

- PelletVent and CornVent are approved by UL and ULC.
- Tested and listed to UL 641 Standard, file # MH8381 and # MH14420.
- Tested and listed to ULC/ORD C441, file # CMH1439, and ULC S635 (relining masonry chimney), file # CHM1329.

PELLETVENT SETS THE STANDARD IN DESIGN, PERFORMANCE, AND EASE OF INSTALLATION FOR TODAY'S MODERN PELLET-BURNING AND CORN-BURNING STOVES.

Since the introduction of pellet stoves in 1984, SIMPSON Dura-Vent has been recognized as the industry leader in venting systems for pellet stoves. Today, approximately 3 out of every 4 pellet stoves in the US and Canada are vented with a SIMPSON Dura-Vent PelletVent system

ENGINEERED EXCELLENCE

The PelletVent system features a double-wall, air-insulated design ensuring superior performance and safety. A stainless steel inner wall, combined with a galvalume steel outer wall, provides maximum heat and corrosion resistance for safe, long-lasting performance. A 1/4" air space between the inner and outer walls provides for static air insulation ensuring safe outer wall temperatures, while providing a 1" clearance to nearby combustibles.*

To prevent fly ash leakage, each pipe joint contains a factory-installed, high-temperature rope gasket. In addition, all seams on elbows, tees, and fittings are factory sealed with high-temperature silicone.

EASE OF INSTALLATION

PelletVent features precision twist-lock connections for safe, easy assembly. A complete product offering is available in galvalume or in black painted finish, including pipe lengths from 6" to 60", adjustable pipe lengths and 45° and 90° elbows. Single and double tees with clean-out adapters permit easy access for periodic maintenance. When installing pellet stove inserts into a masonry fireplace, PelletVent offers a stainless steel flex length with twist-lock fittings for easy through-the-damper installations

APPLICATIONS

The PelletVent System, offered in 3" and 4" diameters, is designed for use with pellet stoves and with low-temperature venting systems.

The CornVent System, also offered in 3" and 4" diameters, is designed to withstand corrosive flue gasses of corn-burning appliances. CornVent may also be used with pellet stoves and other low-temperature appliances. PelletVent and CornVent are rated for flue temperatures up to, but not exceeding, 570 °F.



* In Canada, venting for pellet- and corn-burning appliances requires 3" clearance to combustibles.



THE FINISHING TOUCH

PelletVent features a complete product offering, including wall thimbles for horizontal, through-the-wall installations and support boxes for both flat and cathedral ceiling installations. For the finishing touch, decorative wall thimbles and ceiling support covers are available with optional designer series brass trim accents. PelletVent's complete product line is designed to make every installation a success.

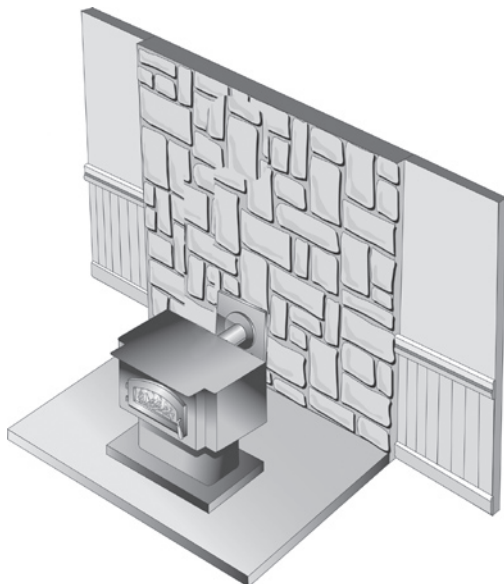
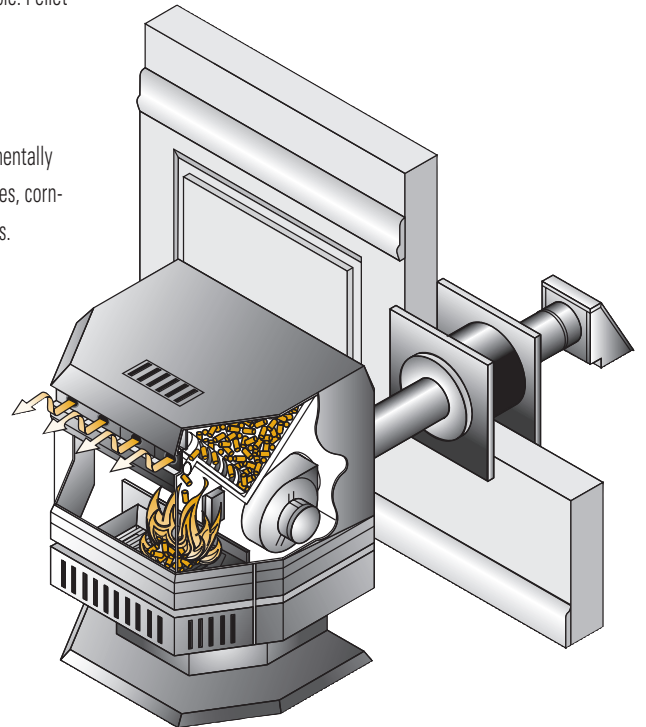
THE PELLET STOVE CONCEPT

Pellet stoves offer the warmth and beauty of heating without the mess and chore of a typical wood-burning stove. They are also sensitive to the environment by using recycled wood waste and by producing the cleanest burning wood fire available. Pellet stoves offer the convenience of automatic feeding, thermostatic heat control, and self-lighting options.

Corn-burning stoves provide a convenient and economical option for heating. Corn-burning stoves are also environmentally sensitive and produce very low emissions, while utilizing a renewable and fast-growing fuel source. Like Pellet stoves, corn-burning stoves offer the same convenience of automatic feeding, thermostatic heat control, and self-lighting options.

The design of a pellet or corn-burning stove consists of a hopper, into which you simply pour a bag of pellets or corn. An auger system delivers the fuel to the burn pot at the rate you set. A convection fan delivers heat to warm your home.

The rear surface of a pellet stove stays relatively cool, so close clearances to combustible walls is possible. While many pellet stoves can be vented with a short, horizontal vent directly out through an outside wall, most operate best with a minimum 4' rise before the flue vents horizontally through the wall.

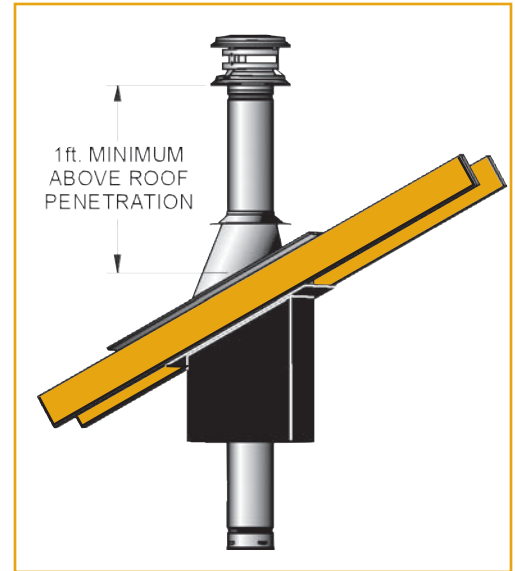


Pellet stoves are also available as fireplace inserts installed in masonry or factory-built metal fireplaces. Since PelletVent is smaller in diameter than normal chimneys, it can be installed as a chimney liner. A 5' length of stainless flex permits installation through the existing fireplace damper.

DESIGN & SELECTION FOR A PELLET VENT SYSTEM

The following design recommendations are intended only as a general guideline to assist in the design and selection of venting components for your installation. Read and follow the PelletVent installation instructions before installing your venting system.

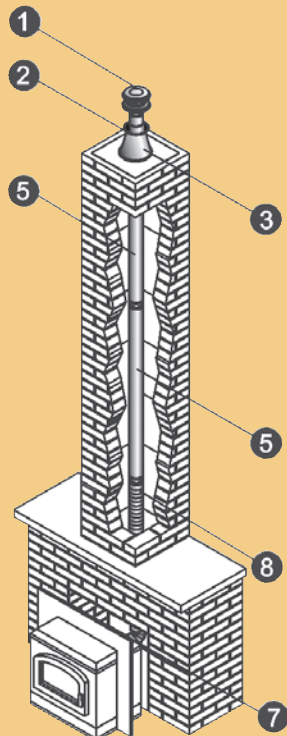
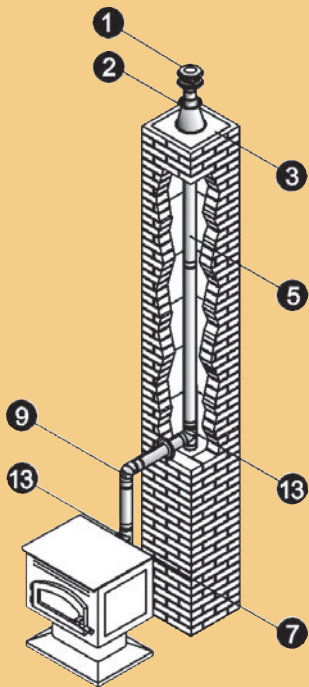
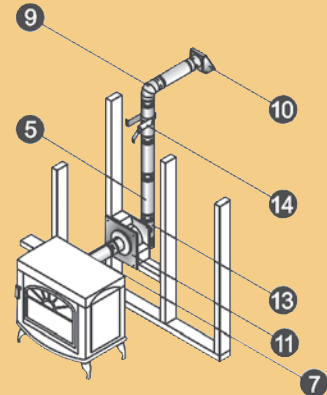
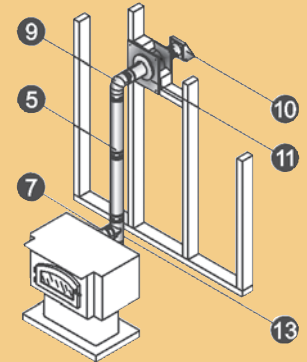
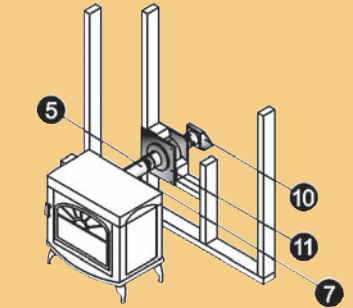
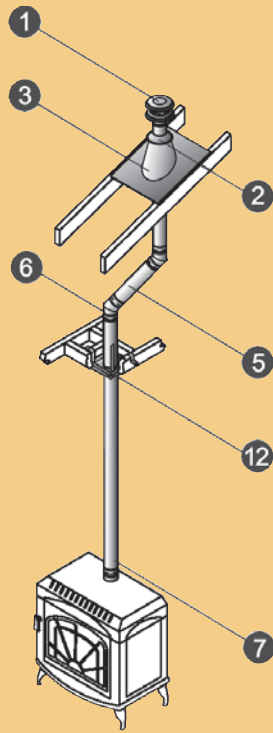
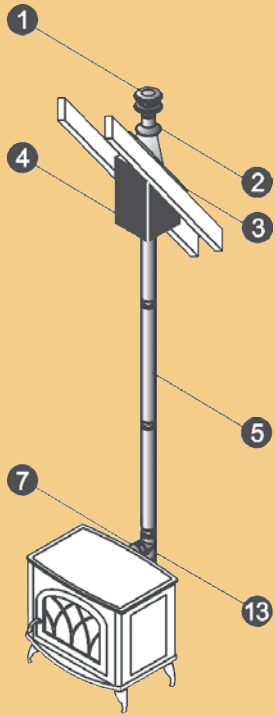
- Size the vent to meet the appliance manufacturer's specifications.
- Avoid long runs and excessive use of elbows. Refer to the appliance manufacturer for minimum rise and maximum run configurations for the venting system.
- Use a Pipe Adapter to ensure a proper connection to the appliance.
- Use a Single or Double Tee with clean-out tee cap to facilitate easy cleaning. Do not use a 90° elbow off the back of the appliance, unless authorized by the appliance manufacturer.
- Maintain the minimum 1" clearance (air space) from vent pipe to combustibles. Use proper support and bracing. Follow local building codes and have your venting system inspected. Be fire safe!



HOW TO PLAN YOUR VENTING INSTALLATION

Step 1.	Refer to the Typical PelletVent Installations diagram, on the opposite page, to be familiar with some of the standard PelletVent installations and the required component parts.
Step 2.	For a horizontal termination, you will need a Wall Thimble and a Horizontal Cap. The cap must be installed with a 6" clearance to the outside wall and a 12" clearance off the ground.
Step 3.	For a vertical termination, you will need a Cathedral Ceiling Support Box or a Flat Ceiling Support, a Flashing, a Storm Collar, and a Vertical Cap.
Step 4.	Determine the length of PelletVent pipe required. For a vertical termination, measure the pitch of the roof and select the proper flashing. The required minimum height above the roof is 12".
Step 5.	Pellet stove inserts in masonry fireplaces will require a flex pipe to snake the vent past the smoke shelf. For transition from PelletVent to an existing DuraPlus Chimney or DuraTech Chimney, a Chimney Adapter is available.
Step 6.	For vertical rise of PelletVent on the outside of the house, Tee Support Brackets should be used at 4' intervals to provide proper support.
Step 7.	Important! Check to be sure that the appliance and the venting system are in compliance with all minimum clearance to combustible requirements.

TYPICAL INSTALLATIONS



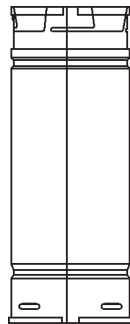
PELLET VENT SYSTEMS

1	Vertical Cap
2	Storm Collar
3	Flashing
4	Cathedral Ceiling Support Box
5	Pipe
6	45° Elbow
7	Pipe Adapter
8	5' Flexible Length
9	90° Elbow
10	Horizontal Cap
11	Wall Thimble
12	Black Ceiling Support Firestop Spacer
13	Tee w/Clean-Out Tee Cap
14	Tee Support Bracket

PELLET VENT SYSTEMS

STRAIGHT LENGTH PIPE

Features fully unitized twist-lock construction in 3" and 4" diameters. Listed at 1" clearance to combustibles, in the USA, it can be used in both vertical and horizontal installations. Inner wall is .012" type 430 stainless steel for pellet-burning or .012" type 304 stainless steel for corn-burning appliances. Outer wall is .018" galvalume steel. *On 6" and 12" lengths of CornVent, outer wall is .016" type 304 stainless steel. PelletVent is available in painted black for interior and galvalume for exterior. Pipe OD is diameter plus 5/8".



SIZE	3"	4"
6"	3006	3106
6" BLACK	3006B	3106B
1'	3012	3112
1' BLACK	3012B	3112B
2'	3024	3124
2' BLACK	3024B	3124B
3'	3036	3136
3' BLACK	3036B	3136B
5'	3060	3160
5' BLACK	3060B	3160B
CornVent	3"	4"
6"	33006	33105
1'	33012	33112
2'	33024	33124
3'	33036	33136
5'	33060	33160

PELLETVENT KIT

Use for horizontal installations. Kits include: Square Horizontal Cap, 90° Elbow, Tee Support, five 1' Pipe lengths, Tee with Clean-Out Tee Cap, Wall Thimble and Pipe Adapter. 4" Kit also includes a Stovetop Adapter/Increaser 3" to 4" tall.

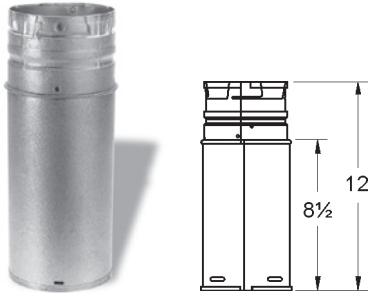
SIZE	STOCK #
3"	3000
4"	3100
CornVent	STOCK #
3"	33000
4"	33100



PELLET VENT SYSTEMS

ADJUSTABLE LENGTH PIPE

Use when a fixed length of PelletVent is not appropriate. Provides 3" to 10" of adjustment when used with rigid sections of pipe.



SIZE	STOCK #
3"	3012A
3" BLACK	3012AB
4"	3112A
4" BLACK	3112AB
CornVent	STOCK #
3"	33012A
4'	33112A

FLEX PIPE

Use only inside a masonry chimney. 60" flex section, type 304 stainless steel, allows for offsets in masonry chimney for pellet and corn-burning appliances.

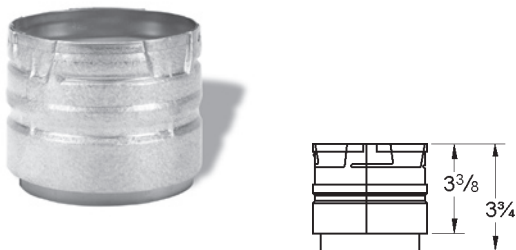
For masonry relining, see Relining catalog L700.

SIZE	STOCK #
3"	3060F
4"	3160F



STOVETOP PIPE ADAPTER & ADAPTER/INCREASER

Attaches to appliance outlet allowing pipe to easily connect or disconnect. Use for either horizontal or vertical installations. Also use as a 3"-4" Stovetop Adapter/Increaser.

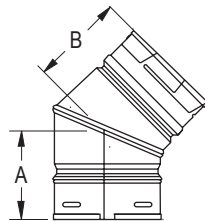


SIZE	STOCK #
3"	3079
3" BLACK	3079B
4"	3179
4" BLACK	3179B
3" - 4"	3076
CornVent	STOCK #
3"	33079
4'	33179

PELLET VENT SYSTEMS

45° ELBOW

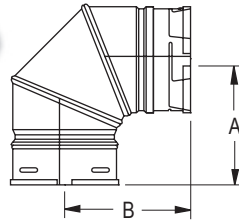
Use to offset pipe diagonally or horizontally. Factory silicone sealed to contain fly ash. Elbows swivel 360° at base. Angle not adjustable. Elbows feature an optional swivel base.



SIZE	STOCK #	STOCK # w/out swivel	A	B
3"	3045S	3045	3 7/8"	4"
3" BLACK	3045SB	3045B	3 7/8"	4"
4"	3145S	3145	3 7/8"	4"
4" BLACK	3145SB	3145B	3 7/8"	4"
CornVent	STOCK #	STOCK # w/out swivel	A	B
3"	33045S	33045	3 7/8"	4"
4"	33145S	33145	3 7/8"	4"

90° ELBOW

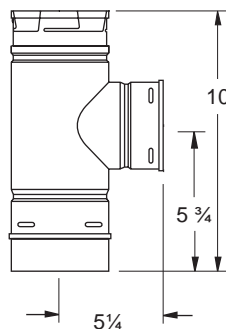
Use to offset pipe diagonally or horizontally. Factory silicone sealed to contain fly ash. Elbows swivel 360° at base. Angle not adjustable. Elbows feature an optional swivel base.



SIZE	STOCK #	STOCK # w/out swivel	A	B
3"	3090S	3090	5 1/2"	5 1/2"
3" BLACK	3090SB	3090B	5 1/2"	5 1/2"
4"	3190S	3190	5 1/2"	5 1/2"
4" BLACK	3190SB	3190B	5 1/2"	5 1/2"
CornVent	STOCK #	STOCK # w/out swivel	A	B
3"	33090S	33090	5 1/2"	5 1/2"
4"	33190S	33190	5 1/2"	5 1/2"

SINGLE TEE WITH CLEAN-OUT TEE CAP

Creates 90° offset with clean-out access. Twist-lock adapter allows easy access for clean out.

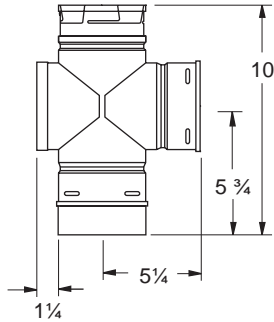


SIZE	STOCK #
3"	3067S
3" BLACK	3067SB
4"	3167S
4" BLACK	3167SB
CornVent	STOCK #
3"	33067S
4"	33167S

PELLET VENT SYSTEMS

DOUBLE TEE WITH CLEAN-OUT TEE CAP

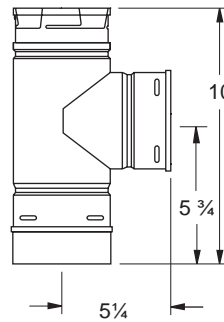
Allows clean-out access for horizontal and vertical installations. Tee cap included.



SIZE	STOCK #
3"	3071
3" BLACK	3071B
4"	3171
4" BLACK	3171B

INCREASER TEE WITH CLEAN-OUT TEE CAP

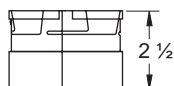
Allows 3" branch to increase to 4" body and provides easy clean-out access.



SIZE	STOCK #
4"	3166
4" BLACK	3166B
CornVent	STOCK #
4"	33166

CLEAN-OUT TEE CAP

Replacement Clean-Out Tee Cap for use with Tees.

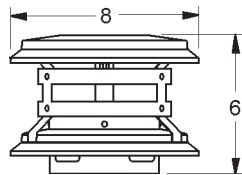


SIZE	STOCK #
3"	3067A
3" BLACK	3067AB
4"	3167
4" BLACK	3167AB
CornVent	STOCK #
3"	33067A
4"	33167A

PELLET VENT SYSTEMS

VERTICAL CAP

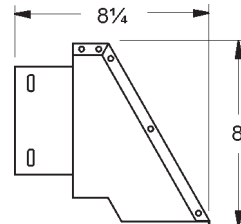
Required when pipe terminates above the roofline. Do not use for horizontal installations.



SIZE	STOCK #
3"	3080
4"	3180
CornVent	STOCK #
3"	33080
4"	33180

SQUARE HORIZONTAL CAP

Use for horizontal terminations. Cap features swivel collar to adjust exhaust direction. Do not use for vertical terminations. Cap features an optional swivel base.

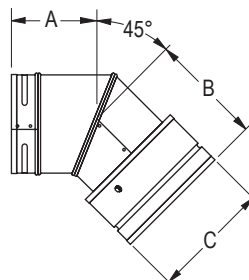


SIZE	STOCK #	STOCK # w/out swivel
3"	3085S	3085
4"	3185S	3185
CornVent	STOCK #	STOCK # w/out swivel
3"	33085S	33085
4"	33185S	33185

ROUND HORIZONTAL CAP

Use for horizontal terminations. Cap features a swivel collar to adjust exhaust direction. Removable screen guard for convenient cleaning. Do not use for vertical terminations.

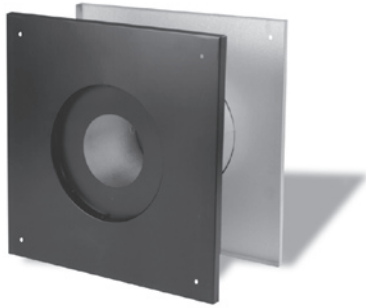
SIZE	STOCK #	A	B	C
3"	3088	3 5/8"	4 1/2"	4 3/4"
4"	3188	3 7/8"	5 1/8"	5 5/8"



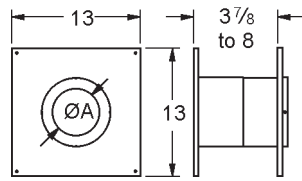
PELLET VENT SYSTEMS

WALL THIMBLE

Fits between standard wall studs. Interior trim painted black.
 * Type 304 stainless steel exterior plate



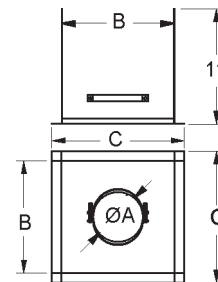
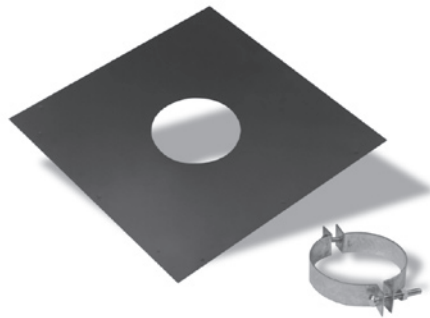
SIZE	STOCK #	A
3"	3043	3 ³ / ₄ "
4"	3143	4 ³ / ₄ "
ComVent	STOCK #	A
3"	33043*	3 ³ / ₄ "
4"	33143*	4 ³ / ₄ "



BLACK CEILING SUPPORT FIRESTOP SPACER

Required where vent passes through a floor or ceiling, and centers pipe to provide proper clearances. Painted black.

SIZE	STOCK #	A	B	C
3"	3042	3 ³ / ₄ "	9 ⁵ / ₈ "	11 ⁵ / ₈ "
4"	3142	4 ³ / ₄ "	10 ⁵ / ₈ "	12 ⁵ / ₈ "

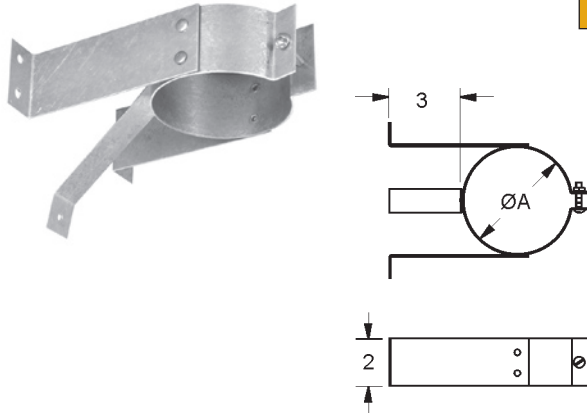


PELLET VENT SYSTEMS

TEE SUPPORT BRACKET

Use to support tee sections or as a wall strap. Can also be used with CornVent.

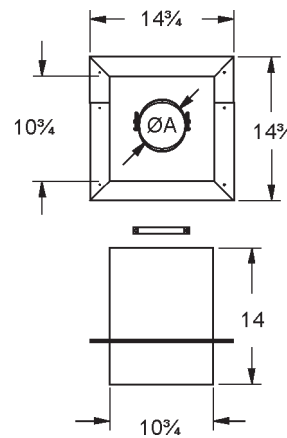
SIZE	STOCK #	A
3"	3069	3 $\frac{3}{8}$ "
4"	3169	4 $\frac{5}{8}$ "



CATHEDRAL CEILING SUPPORT BOX

Use to support pipe. May be used on flat or sloped cathedral ceilings. Painted black. Trim and clamp included. Can also be used with CornVent.

SIZE	STOCK #	A
3"	3041	3 $\frac{3}{4}$ "
4"	3141	4 $\frac{3}{4}$ "

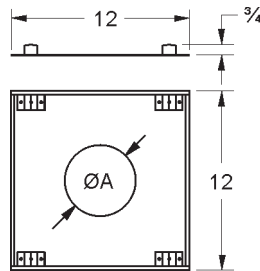
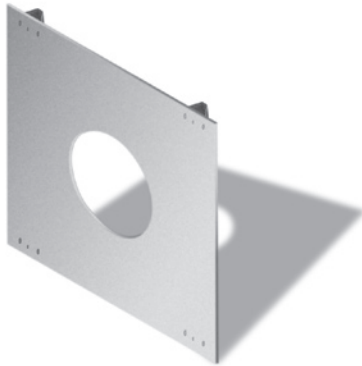


PELLET VENT SYSTEMS

HOUSE SHIELD

Use to protect exterior of structure from blower discharge in horizontal venting situations. Can also be used with CornVent.

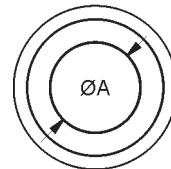
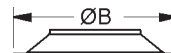
SIZE	STOCK #	A
3"	3044	3 ³ / ₄ "
4"	3144	4 ³ / ₄ "



STORM COLLAR

Maintains a weather tight resistant seal between the pipe and the flashing. Seal the inner edge with 500° F silicone sealant to the chimney. Can also be used with CornVent.

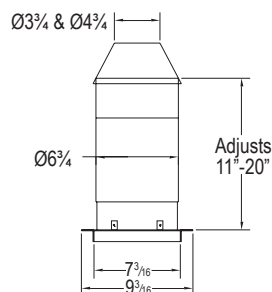
SIZE	STOCK #	A	B
3"	3059	3 ⁵ / ₈ "	7 ⁷ / ₈ "
4"	3159	4 ⁵ / ₈ "	8 ¹ / ₈ "



ATTIC INSULATION SHIELD

Use for installations that pass through an attic to prevent insulation and debris from accumulating near the vent. Note: In Canada, Attic Insulation Shield does not provide sufficient clearance for use with Pellet- or Corn-burning applications (3" clearance is required).

SIZE	STOCK #
3" - 4"	0354

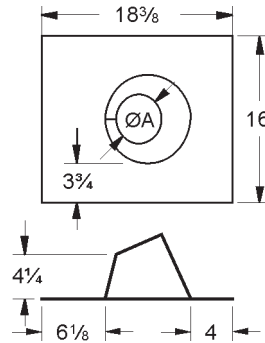
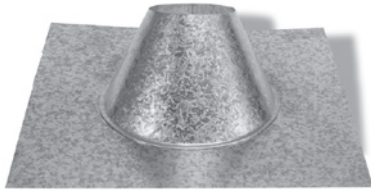


PELLET VENT SYSTEMS

ADJUSTABLE ROOF FLASHING

Seals the roof penetration. For pitches of 0/12 - 6/12. For steep roof pitches and D.S.A., refer to the Gas Vent catalog. Can also be used with CornVent.

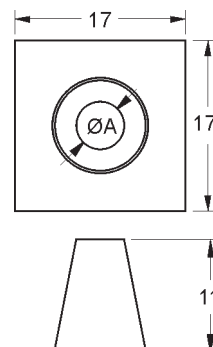
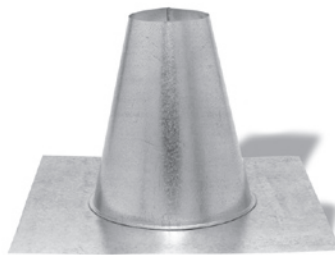
SIZE	STOCK #	A
3"	3049	3 ³ / ₄ "
4"	3149	4 ³ / ₄ "



TALL CONE ROOF FLASHING

Use on flat roofs, chase enclosures, or masonry chimney. Can also be used with CornVent.

SIZE	STOCK #	A
3"	3051	3 ³ / ₄ "
4"	3151	4 ³ / ₄ "

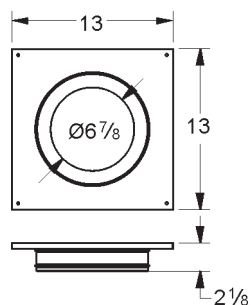
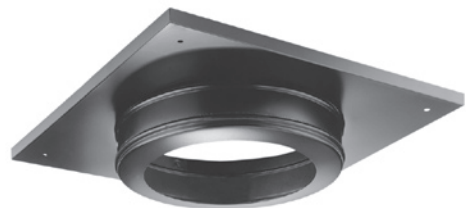


PELLET VENT SYSTEMS

CEILING SUPPORT COVER / WALL THIMBLE COVER

Use in conjunction with reduction collar. Decorative cover, painted black, for ceiling support boxes and wall thimbles. .

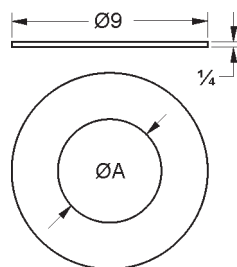
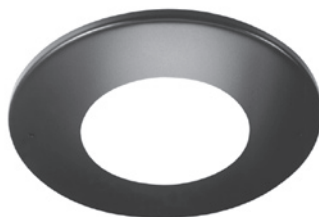
SIZE	STOCK #
3" or 4"	0940



REDUCTION COLLAR

Reduces the center hole diameter in the support box/wall thimble cover to fit 3- or 4-inch pipe. Painted black.

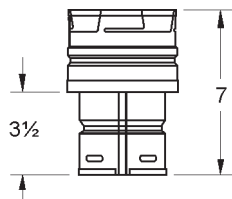
SIZE	STOCK #	A
3"	3957	3 3/4"
4"	3958	4 3/4"



PELLET VENT SYSTEMS

INCREASER

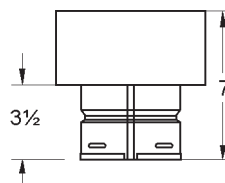
Allows transition from 3" to 4" pipe sections. Not a decrease.



SIZE	STOCK #
3" - 4"	3073
CornVent	STOCK #
3" - 4"	33073

CHIMNEY ADAPTER

Transitions between PelletVent to existing chimney such as DuraTech, DuraPlus or DuraPlus HTC. Requires a DVL/DuraBlack Chimney Adapter to fasten into support box or wall thimble. For 6", use adapter 8674, and with 8", use adapter 8874. Can also be used with CornVent.



SIZE	STOCK #
3" - 6"	3074
3" - 8"	3075
4" - 6"	3174
4" - 8"	3175

PELLET VENT SYSTEMS

ROUND CEILING SUPPORT/WALL THIMBLE COVER TRIM KIT

Covers round base and square trim collar with polished brass designer trim. Use with Ceiling Support Cover/ Wall Thimble Cover 0940.

SIZE	STOCK #
3" or 4"	3951



CATHEDRAL CEILING SUPPORT BOX TRIM KIT

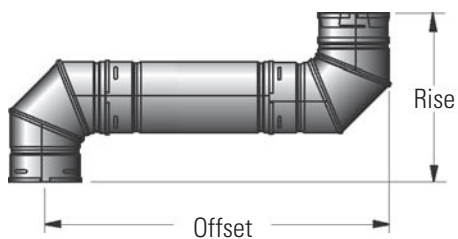
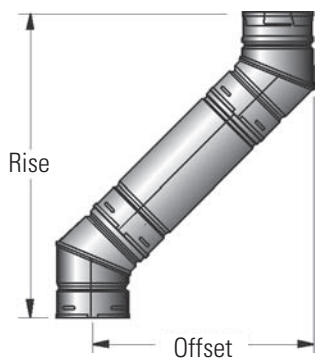
Covers support box and trim collar with polished brass designer trim. Use with Cathedral Support Box 3041 and 3141.

SIZE	STOCK #
3" or 4"	3960

OFFSET CHARTS

PELLETVENT & CORNVENT

PelletVent elbow offset chart for 3" I.D. and 4" I.D.



Elbow Angle from Vertical	Chimney Length Between Elbows	Ø3" Offset	Ø3" Rise	Ø4" Offset	Ø4" Rise
45°	0"	4¼"	11"	5"	12¾"
45°	6"	8"	14¾"	8⅝"	16⅝"
45°	12"	12¼"	19"	13½"	21⅝"
45°	24"	20¾"	27⅝"	21⅝"	29⅝"
45°	36"	29¼"	36"	30⅝"	38⅝"
45°	24" + 24"	36⅝"	43⅝"	37¾"	45½"
45°	60"	46⅝"	52⅝"	46¾"	54½"
45°	36" + 36"	53½"	60⅝"	54¼"	62"
90°	0"	9⅝"	10⅝"	10⅝"	11⅝"
90°	6"	14⅝"	10⅝"	15⅝"	11⅝"
90°	12"	20⅝"	10⅝"	21⅝"	11⅝"
90°	24"	32⅝"	10⅝"	33⅝"	11⅝"
90°	36"	44⅝"	10⅝"	45⅝"	11⅝"
90°	24" + 24"	54⅝"	10⅝"	55⅝"	11⅝"
90°	60"	68⅝"	10⅝"	69⅝"	11⅝"
90°	36" + 36"	78⅝"	10⅝"	79⅝"	11⅝"

WARRANTY

SIMPSON DURA-VENT 25-YEAR WARRANTY

SIMPSON Dura-Vent warrants PelletVent for a period of 25 years from date of installation. SIMPSON Dura-Vent warrants CornVent for corn-burning applications for a period of 10 years from the date of installation. The warranty includes all components and fittings, except caps. Caps carry a five-year warranty. Only CornVent is warranted for use with corn-burning applications.

All warranties, whether expressed or implied, shall be limited to replacement (exclusive of installation costs) of the product found to be defective under this warranty, and shall be conditional upon compliance with all recommended installation and maintenance procedures and intended use of the product. This warranty applies only to parts manufactured by SIMPSON Dura-Vent. All products must be maintained by periodic inspection and cleaning as needed, including vent exposed to weather containing corrosive elements.

Customer Service Support

800-835-4429

707-446-4740 Fax

www.duravent.com

DuraTech, DVL, DuraBlack, DuraLiner, DuraPlus, DuraPlus HTC, PelletVent, DirectVent GS, Dura-Vent, DuraFlex, and DuraConnect are registered trademarks of the Simpson Dura-Vent Co., Inc. All rights reserved, 2005.



Customer Service Center

800-835-4429

(707) 446-4740 Fax

www.duravent.com