

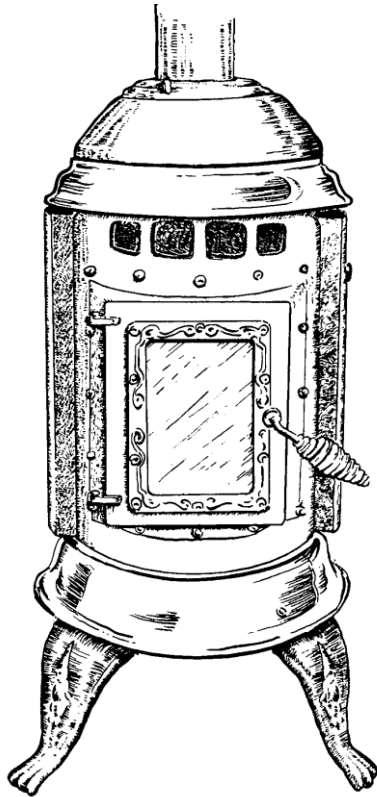
---

# GNOME

## DIRECT VENT GAS HEATER

### Installation and Operating Instructions

---



Made in the USA by:



***PLEASE READ THIS ENTIRE MANUAL BEFORE INSTALLATION.  
SAVE THESE INSTRUCTIONS.***

**INSTALLER: PLEASE LEAVE THIS MANUAL WITH THE CUSTOMER!  
CUSTOMER: PLEASE KEEP INSTRUCTIONS FOR FUTURE REFERENCE**

**SAFETY NOTICES**For Your Safety

Do not store or use gasoline or any other flammable vapors or liquids in the vicinity of this or any other appliance

What to do if You Smell Gas

- Do not try to light any appliance.
- Open windows.
- Do not touch electrical switches.
- Do not use any phone in your building.
- Extinguish any open flame.
- Immediately call your gas supplier from a neighbor's phone. Follow the gas supplier's instructions.
- If you cannot reach the gas supplier, call the fire department.

Installation**PLEASE READ INSTRUCTIONS CAREFULLY BEFORE INSTALLING AND OPERATING THE APPLIANCE**

- Heater must be properly installed and maintained or a house fire may result.
- For your safety, follow the installation instructions.
- Contact local building officials about restrictions and installation inspection.
- Failure to comply with owner's manual instructions will void warranty.

Installation and service must be performed by a qualified installer, service agency or the gas supplier.

**WARNING:** If the information in these instructions is not followed exactly a fire or explosion may result causing property damage, personal injury or loss of life.

**MASSACHUSETTS:** The gas piping and the final gas connection must be performed by a licensed plumber or gas fitter in the state of Massachusetts



## SAFETY NOTICES

**IF THIS APPLIANCE IS NOT PROPERLY INSTALLED, A HOUSE FIRE, OR EXPLOSION MAY RESULT. FOR YOUR SAFETY, FOLLOW THE INSTALLATION DIRECTIONS. CONTACT LOCAL BUILDING OR FIRE OFFICIALS ABOUT RESTRICTIONS AND INSTALLATION REQUIREMENTS IN YOUR AREA. PLEASE READ THIS ENTIRE MANUAL BEFORE YOU INSTALL AND USE YOUR NEW APPLIANCE. FAILURE TO FOLLOW INSTRUCTIONS MAY RESULT IN PROPERTY DAMAGE, BODILY INJURY OR DEATH. DO NOT OPERATE WITH DOOR OPEN!**

Safe installation and operation always require common sense. We are also required by Canadian and ANSI safety standards to point out the following:

**INSTALLATION AND REPAIR SHOULD BE DONE BY A QUALIFIED SERVICE PERSON. THE APPLIANCE SHOULD BE INSPECTED BEFORE USE AND AT LEAST ANNUALLY BY A PROFESSIONAL SERVICE PERSON. MORE FREQUENT CLEANING MAY BE REQUIRED DUE TO EXCESSIVE LINT FROM CARPETING, BEDDING MATERIAL, ET CETERA. IT IS IMPERATIVE THAT CONTROL COMPARTMENTS, BURNERS AND CIRCULATING AIR PASSAGEWAYS OF THE APPLIANCE BE KEPT CLEAN.**

**IT IS IMPERATIVE THAT CONTROL COMPARTMENTS, BURNERS AND CIRCULATING AIR PASSAGEWAYS OF THE APPLIANCE ARE KEPT CLEAN.**

**DUE TO HIGH TEMPERATURES, THE APPLIANCE SHOULD BE LOCATED OUT OF TRAFFIC AND AWAY FROM FURNITURE AND DRAPERIES.**

**DO NOT USE THIS HEATER IF ANY PART HAS BEEN UNDER WATER. IMMEDIATELY CALL A QUALIFIED SERVICE TECHNICIAN TO INSPECT THE HEATER AND TO REPLACE ANY PART OF THE CONTROL SYSTEM AND ANY GAS CONTROL WHICH HAS BEEN UNDER WATER.**

**CLOTHING OR OTHER FLAMMABLE MATERIALS SHOULD NOT BE PLACED ON OR NEAR THE APPLIANCE.**

**“THE FLEXIBLE CORD PROVIDED MUST BE CONNECTED TO A LINE VOLTAGE ELECTRICAL SUPPLY”.**

**ANY SAFETY SCREEN OR GUARD REMOVED FOR SERVICING A ROOM HEATER MUST BE REPLACED PRIOR TO OPERATING THE APPLIANCE.**

**NEVER VENT THE APPLIANCE INTO OTHER ROOMS OR BUILDINGS. THE APPLIANCE MUST BE VENTED ONLY TO THE OUTSIDE.**

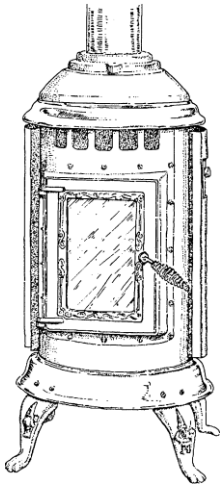
**THIS APPLIANCE MUST NOT BE CONNECTED TO A CHIMNEY FLUE SERVING A SEPARATE SOLID-FUEL BURNING APPLIANCE.**

**CHILDREN AND ADULTS SHOULD BE ALERTED TO THE HAZARDS OF HIGH SURFACE TEMPERATURES AND SHOULD STAY AWAY TO AVOID BURNS OR CLOTHING IGNITION.**

**YOUNG CHILDREN SHOULD BE CAREFULLY SUPERVISED WHEN THEY ARE IN THE SAME ROOM AS THE APPLIANCE.**



## INSTALLATION



### INSTALLATION CHECKLIST

- Dealer \_\_\_\_\_
- Installer \_\_\_\_\_
- Phone \_\_\_\_\_
- Installation Date \_\_\_\_\_
- Serial Number \_\_\_\_\_

This appliance is suitable for installation in a bedroom or bed sitting room.

This appliance may be installed in an aftermarket permanently located, manufactured (mobile) home, where not prohibited by local codes. This appliance is only for use with the type of gas indicated on the rating plate. This appliance is not convertible for use with other gases, unless a certified kit is used.

#### Listing and Codes

The Parlor is listed and certified for installation in the U.S.A. and Canada under the following standards:

ANSI Z21.88b-2003/CSA 2.336b-2003  
(Vented Gas Fireplace Heater)  
Test Lab Report # 220-S-02-5

Please contact your Dealer if you have any questions regarding the certification of this appliance.

## INDEX OF CONTENTS

- Airflow, 9
- Alcove Installation, 17
- Appendix A, 35
- Appendix B, 36
- Bedroom Installation, 14
- Burner Inspection, 25
- Burner On/Off Switch, 22
- Chrome
  - polishing, 27
- Cleaning
  - fan, 25
  - glass, 32
  - gold-plated parts, 27
- Clearance to Combustibles, 11, 14
- Control Components, 24
- Delayed Ignition, 33
- Diagram of Dimensions, 10
- Diagrams
  - Air Shutter, 13
  - Control Components, 24
  - Dimensions, 10
  - Gas Valve and Pilot Assembly, 34
  - Make Up Air Kit, 36
  - Pipe Configurations, 20
  - Pressure Gauge Insertion, 13
  - Safety Door, 33
  - Securing Door, 32
  - Snap Disc Sensor, 33
  - Vent Termination, 21
  - Venting Requirements, 18
  - Vertical Pipe Installation, 35
  - Wiring, 30
- Door Gasket, 25
- Door Opening, 32
- Electrical Grounding Instructions, 12
- Electrical Rating, 14
- Fan and Flame Adjustment, 25
- Fan Control Knob, 22
- Firebox Inspection, 25
- Floor Protection, 14
- Gas Control Knob, 22
- Gas Data, 14
- Gas Leaks, 2, 7
- Gas Line Installation, 19
- Gas Valve, 34
- Glass Replacement, 27
- Gold
  - polishing, 27
- Hi/Lo Flame Adjust, 22
- Horizontal Installation, 14
- Horizontal Termination, 14
- Important Information, 12
- Initial Burn, 25
- Installation, 14
- Introduction and Safety Information, 9
- Lab Accreditation, 12
- Lighting Instructions, 26
- Lighting the Pilot, 22, 25
- Listing Criteria, 12
- Listing Label, 8
- Location of Controls, 22
- Maintenance, 25
- Maintenance Procedures
  - polishing gold and chrome, 27
- Make Up Air Kit, 36
- Manifold Pressure, 12
- Mobile Home Installation, 17
- Operation, 22
- Orifice Information, 13
- Orifice Size, 14
- Permit, 9
- Pilot Assembly, 34
- Pilot Igniter, 22
- Pilot Inspection, 25
- Pipe Configurations, 20
- Pipe Size, 14
- Replacement Parts List, 29
- Safety Door, 33
- Securing Door, 32
- Snap Disc Sensor, 33
- Snorkel, 17
- Sounds, 25
- Specifications, 12
- Troubleshooting, 28
- Vent Maintenance, 19
- Vent Termination, 21
- Venting Requirements, 17, 18
- Vertical Installation, 19
- Vertical Termination, 19
- Wall Thermostat Control, 22
- Warranty Information, 31
- Wiring Diagram, 30

## FIGURES

Figure 1– Diagram of Dimensions.....	10
Figure 2 – Clearance to Combustibles .....	11
Figure 3 – Bottom View Showing Air Shutter and Location for Pressure Gauge Insertion .....	13
Figure 4 – Vent Termination Locations.....	15
Figure 5 – Diagram of Venting Requirements.....	18
Figure 6 – Pipe Configurations .....	20
Figure 7 – Vent Termination.....	21
Figure 8- Location of Pilot, Burners, and Logs .....	23
Figure 9 – Diagram of Control Components .....	24
Figure 10 – Wiring Diagram.....	30
Figure 11 – Directions for Enabling Door – Opening & Securing Door.....	32
Figure 12 – Delayed Ignition Safety Door.....	33
Figure 13– Gas Valve and Pilot Assembly .....	34
Appendix A– Vertical Pipe Installation Air Intake Restrictor Disks.....	35
Appendix B – Gnome Stove with Burner .....	36

**WARNING**

Failure to follow the information in this manual exactly could result in a fire, explosion resulting in property damage, personal injury, and loss of life.

Do not store or use gasoline or other flammable liquids in the vicinity of this or any other appliance.

**WHAT TO DO IF YOU SMELL GAS**

DO NOT TRY TO LIGHT ANY APPLIANCE



DO NOT TOUCH ANY ELECTRICAL SWITCH



DO NOT TURN ON ANY LIGHTS OR LAMPS



DO NOT USE ANY PHONE IN YOUR BUILDING



IMMEDIATELY CALL GAS SUPPLIER FROM A  
NEIGHBOR'S PHONE



FOLLOW THE GAS SUPPLIER'S INSTRUCTIONS





IF YOU CANNOT REACH THE GAS SUPPLIER, CALL THE  
FIRE DEPARTMENT



INSTALLATION AND SERVICE MUST BE DONE BY A  
LICENSED INSTALLER, SERVICE AGENCY, OR GAS  
SUPPLIER

## LABORATORY LISTING LABEL

Tested & Listed By  Beaverton Oregon USA OMNI-Test Laboratories, Inc. Report No./Rapport Numéro 220-S-02-5	<b>Model/Modèle: Gnome</b> Vented Gas Fireplace Heater Foyer au Gaz à Évacuation Not For Use With Solid Fuel Ne Pas Utiliser Avec du Combustible Solide		 THELIN CO MANUFACTURER OF PELLET, GAS & WOOD STOVES
	DATE OF MFG. DATE DU MANUFACTURIER	SERIAL NO. NUMÉRO DE SÉRIE	
Tested to/Testé à: ANSI Z21.88b-2003/CSA 2.33b-2003 Vented Gas Fireplace Heaters, and CAN/CGA 2.17. This vented gas heater is not for use with air filters / Ne pas utiliser de filtre à air avec ce foyer au gaz à évacuation.			
This appliance must be installed in accordance with local codes, if any; if none, follow the National Fuel Gas Code, ANSI Z223.1/NFPA 54, or Natural Gas and Propane Installation Codes, CSA B149.1. Installer l'appareil selon les codes ou règlements locaux, ou, en l'absence de tels règlements, selon les codes d'installation ANSI Z223.1/NFPA 54, National Fuel Gas Code, ou CSA-B149.1 en vigueur.			
This unit is equipped for use with/Pour nous, cet appareil est équipé avec: <input type="checkbox"/> NATURAL GAS <input type="checkbox"/> PROPANE (L.P.)			
<b>Input and Orifice Specifications / Spécifications de l'arrivée de gaz et des orifices</b>			
	N.G.	L.P.	
Maximum Input Rating (BTU/Hr)	22,000	21,500	Puissance Évaluée à Max. (BTU/Hr)
Minimum Input Rating (BTU/Hr)	13,200	12,900	Puissance Évaluée à Min. (BTU/Hr)
Burner Orifice (DMS)	43	55	Orifice du Brûleur (DMS)
Manifold Pressure HI Setting (in W.C.)	3.5"	10.0"	Pression du collecteur d'Échappement à "HI" (po. W.C.)
Manifold Pressure LO Setting (in W.C.)	1.7"	3.5"	Pression du collecteur d'Échappement à "LO" (po. W.C.)
Minimum Inlet Pressure (in W.C.)	5.5"	11.0"	Pression Minimum de la Valve (po W.C.)
<b>Minimum Clearance to Combustibles / Espaces Libres Minimum Des Matériaux Combustibles:</b>			
Unit to Sidewall	8" (205mm)	Mur de côté au poêle	
Unit to Backwall	4" (100mm)	Mur de derrière au poêle	
Unit to Cornerwall	8" (205mm)	Mur du coin au poêle	
Alcove Minimum Width	45" (1145mm)	Largeur Minimum de l'Alcôve	
Alcove Maximum Depth	27" (685mm)	Profondeur Maximum de l'Alcôve	
Alcove Minimum Height	45" (1145mm)	Hauteur Minimum de l'Alcôve	
This appliance is equipped only for altitudes 0-2,000 ft. (0-610m) in USA, and 0-4,500 ft. (0-1370m) in Canada. Cet appareil est équipé pour les altitudes de 0-2000' (0-610m) aux États-Unis; et au Canada pour les altitudes de 0-4500' (0-1370m).			
Blower Electrical Rating/Évaluation du Ventilateur Électrique: 115 Volts, 1.5 Amps, 60 Hz. FAN TYPE VENTED CIRCULATOR/VENTILATEUR CIRCULATOIRE			
<b>WARNING:</b> Operation of this heater when not connected to a properly installed and maintained direct venting system can result in injury and possible death. Improper installation, adjustment, alteration, service or maintenance can cause injury or property damage. Refer to the information in the owner's manual provided with this appliance. For assistance or additional information consult a qualified installer, service agency or the gas supplier. Risk of electrical shock. Disconnect power before servicing unit. This appliance may be installed in a mobile home and sleeping room provided the wall thermostat option is used. This appliance is only for use with the type of gas indicated on the rating plate and may be installed in an aftermarket, permanently located, manufactured (mobile) home where not prohibited by local codes. See owner's manual for details. This appliance is not convertible for use with other gases, unless a certified kit is used.			
<b>AVERTISSEMENT:</b> Si cet appareil fonctionne sans être raccordé à un système d'évacuation correctement installé et entretenu, il peut en résulter un empoisonnement au monoxyde de carbone et la mort. Une installation, un réglage, une modification, une réparation ou un entretien mal effectué peut causer des dommages matériels ou des blessures. Voir la notice de l'utilisateur qui accompagne l'appareil. Pour de l'aide ou des renseignements supplémentaires, consultez un installateur, un technicien agréé ou le fournisseur de gaz. Il y a un risque de décharge électrique. Déconnectez le fil électrique de la prise de contact avant le service. Cet appareil peut être utilisé dans un mobile home ou des chambres à coucher à condition que le thermostat mural soit utilisé. Cet appareil doit être utilisé uniquement avec le type de gaz indiqué sur la plaque signalétique. Cet appareil peut être installé dans une maison préfabriquée ou mobile (É.U. seulement) installée à demeure si les règlements locaux le permettent. Voir la notice de l'utilisateur pour plus de renseignements. Cet appareil ne peut pas être utilisé avec d'autres gaz sauf si une trousse de conversion certifiée est fournie.			
This heater must be properly connected to a Simpson Dura Vent GS Venting System in accordance with the manufacturer's installation instructions. Cet appareil de chauffage doit être correctement installé avec les conduits de cheminée gaz Simpson Dura Vent GS et selon les instructions d'installation du fabricant.			
NOTE: For use with glass door certified with the appliance only. REMARQUE: Cet appareil ne peut être utilisé qu'avec la porte vitrée certifiée.			
<b>DANGER: RISK OF ELECTRICAL SHOCK. DISCONNECT POWER BEFORE SERVICING UNIT. DO NOT RUN POWER CORD UNDER APPLIANCE. KEEP BURNER AND CONTROL COMPARTMENT CLEAN. SEE INSTALLATION AND OPERATING INSTRUCTIONS.</b> <b>DANGER: IL Y A RISQUE DE DÉCHARGE ÉLECTRIQUE. DÉCONNECTEZ LE FIL ÉLECTRIQUE DE LA PRISE DE CONTACT AVANT LE SERVICE. ÉLOIGNEZ LE FIL ÉLECTRIQUE DE L'APPAREIL. NE PAS FAIRE PASSER LE FIL ÉLECTRIQUE AU DESSUS OU EN DESSOUS DE L'APPAREIL. S'ASSURER QUE LE BRÛLEUR ET LE COMPARTIMENT DES COMMANDES SONT PROPRES. VOIR LES INSTRUCTIONS D'INSTALLATION ET D'UTILISATION QUI ACCOMPAGNENT L'APPAREIL.</b>			
DO NOT REMOVE THIS LABEL/NE PAS ENLEVER L'ÉTIQUETTE			
			IGN



## INTRODUCTION AND SAFETY INFORMATION

TheLin Hearth Products would like to thank you for choosing our Gnome Direct Vent Gas appliance. Whether using a natural gas or liquid propane gas, please read the following safety information thoroughly before installing or lighting the gas heater. Improper installation will void warranty. Incorrect installation and/or hook-up could result in serious injury and even loss of life. Follow these instructions closely and do not deviate from them without the permission of licensed and trained personnel knowledgeable of the installation and operation of gas appliances.

### If You Smell Gas:

- Extinguish any open flame.
- Do not light any appliance.
- Do not plug in or unplug any electrical plug or switch.
- Open windows and vacate building.
- Call gas supplier from a phone outside of your house or if unable to reach supplier, call fire department (also from phone outside of your house).

### Safety Check Before Installation

This appliance must be installed by a licensed and qualified installer to prevent the possibility of explosion. This instruction manual must be strictly adhered to. Do not use makeshift methods or compromise the installation in any way. Improper installation will void the warranty and safety listing.

This appliance is approved for either natural gas or LP (liquid propane) gas. Burning the incorrect fuel will void the warranty and safety listing and could cause extreme hazard. Ensure the proper gas valve is installed for the fuel being used. The gas valve is

clearly marked natural gas or LP gas. This marking can be found on the back of the stove above the gas line (see Figure 9).

### Permit

Contact your local building officials and obtain a permit before beginning installation. Notify your insurance company and provide them with the proper inspection documents indicating that the appliance has been installed to code and inspected and also passed inspection.

### Flammables

Do not store or use gasoline or other flammable liquids in the vicinity of the heater.

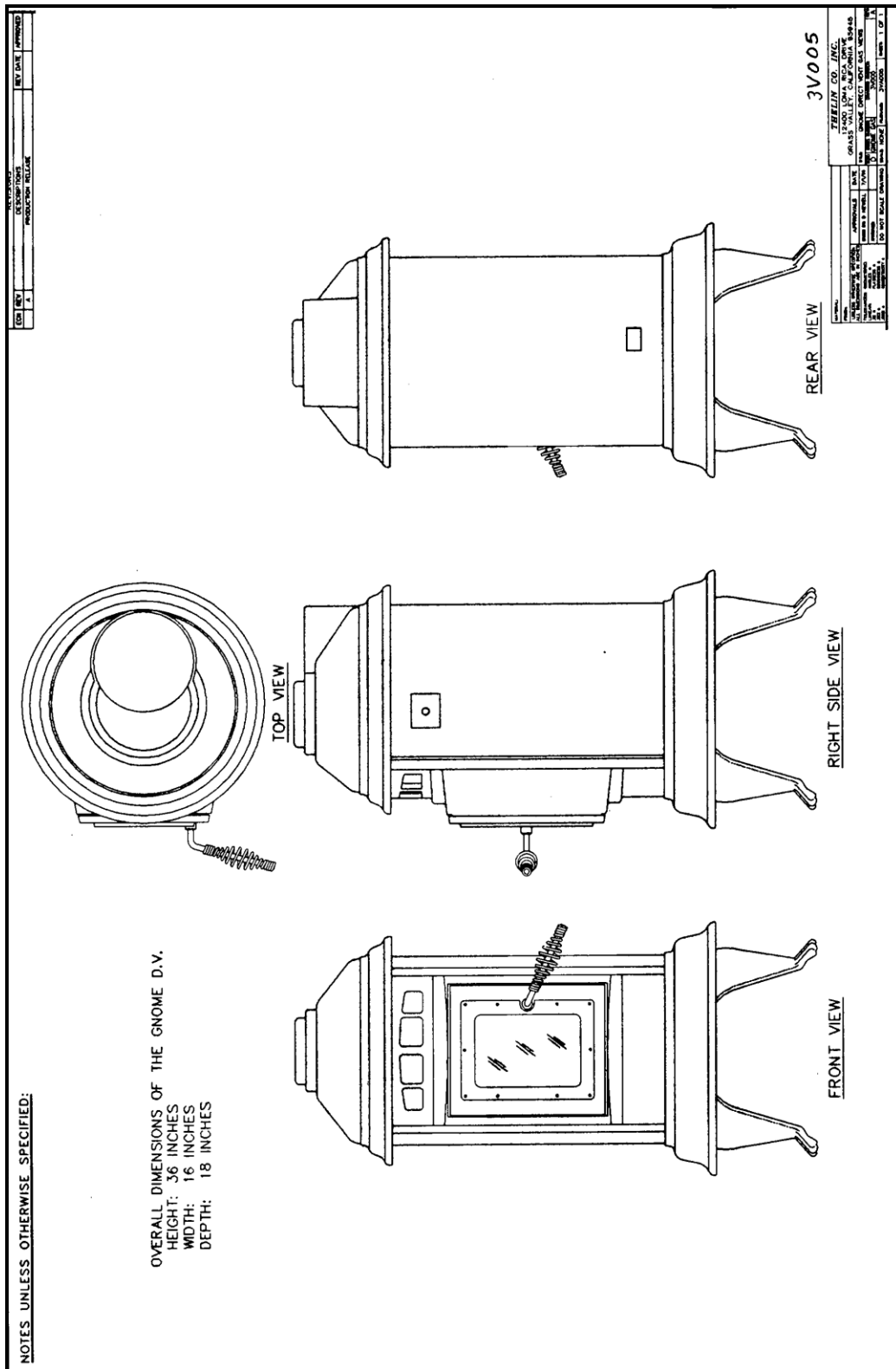
### Airflow

Always keep control compartment and fan air passageways free of lint and dust and obstructions (see Figure 12). Do not place clothing or other flammable items on or near the heater. The heater can be controlled by a thermostat and will come on automatically if the thermostat option is hooked up and utilized. **Educate small children that external portions of the heater are extremely hot! Young children should be supervised if they are in the same room with the heater.**

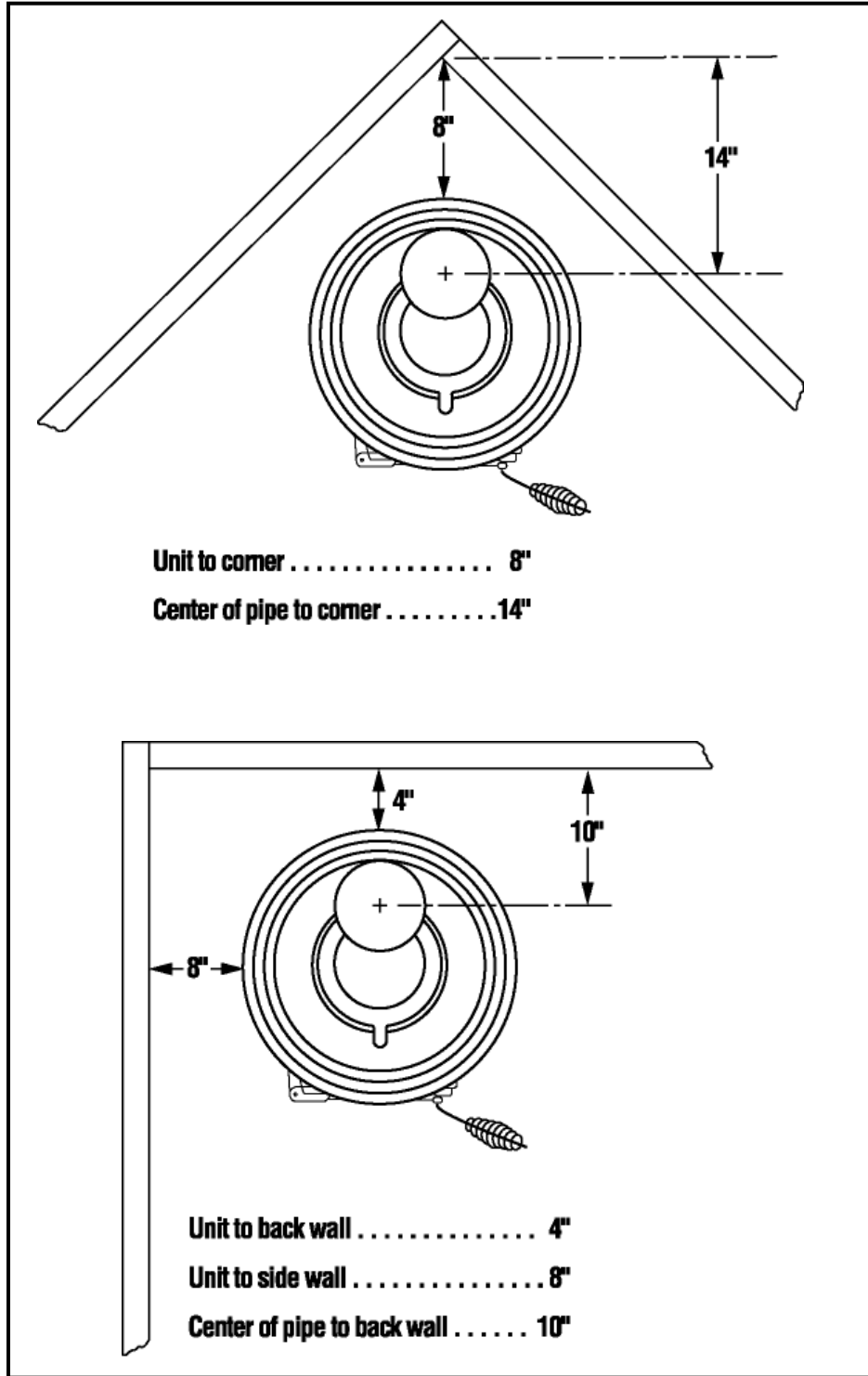
### Safe Operation

Operate this heater in accordance with the instructions in this manual. Light the pilot and burner using built-in piezo lighter. Do not use matches or any other lighting device external to your appliance. If the pilot or main burner do not light correctly, turn off the gas at the gas control valve (see Figure 9), and call your dealer or service person. If the flame becomes sooty, dark orange in color, or extremely tall and lazy, do not operate the heater. Call your dealer. Do not operate the heater if any portion of the heater has been submerged in

FIGURE 1- DIAGRAM OF DIMENSIONS



**FIGURE 2 – CLEARANCE TO COMBUSTIBLES**



Use these diagrams to locate stove in the room.  
 Note "Cornerwall" means from the back of the stove to the corner.

water or any corrosion occurs. Do not operate if you suspect any improper operation. Call your dealer.

### Door and Logs

Always allow the heater to cool before carrying out any maintenance or cleaning. The viewing door should be opened for service only (see Maintenance section). Do not place anything inside the firebox area except authorized Thelin Hearth Products factory log set. If the logs become damaged, replace with factory-authorized logs. Never remove, replace, modify, or substitute any part of this appliance unless given instructions to do so by factory-trained personnel or professionally licensed and certified gas technicians.

### Electrical Considerations

**WARNING:** Electrical Grounding Instructions. This appliance is equipped with a three-pronged (grounding) plug for your protection against shock hazard and should be plugged directly into a properly-grounded three-prong receptacle. Do not cut or remove the grounding prong from this plug. This must be grounded in accordance with local codes, or, in the absence of local codes, with the National Electric Code ANSI/NFPA 70 (in Canada, Canadian Electrical Code CSA C 22.1).

### Safety Check Conclusion

**Do not throw this Owner's Manual away.** This manual contains important hook-up, operation, and maintenance instructions. Thelin Hearth Products grants no warranty, implied or stated, for the installation and maintenance of your heater and assumes no responsibility of any consequential damages as a result of improper installation or failure to perform routine maintenance.

## SPECIFICATIONS

### Listing Criteria, Lab Accreditation

See Listing Label (See Important Instructions section) for laboratory listing criteria. When pressure testing the gas supply at test pressures in excess of 1/2 psig (3.5kPa) isolate the heater from the supply line by disconnecting or utilizing the gas shut off valve.

### Manifold Pressure

The heater has pressure taps located on the valve to check the manifold pressure (see Figure 9). If the manifold pressure does not match the following pressure, check inlet pressure and correct the problem:

Natural gas: High - 3.5" WC, Low - 1.7" WC  
Propane: High - 11.0" WC, Low - 3.5" WC

## IMPORTANT INFORMATION

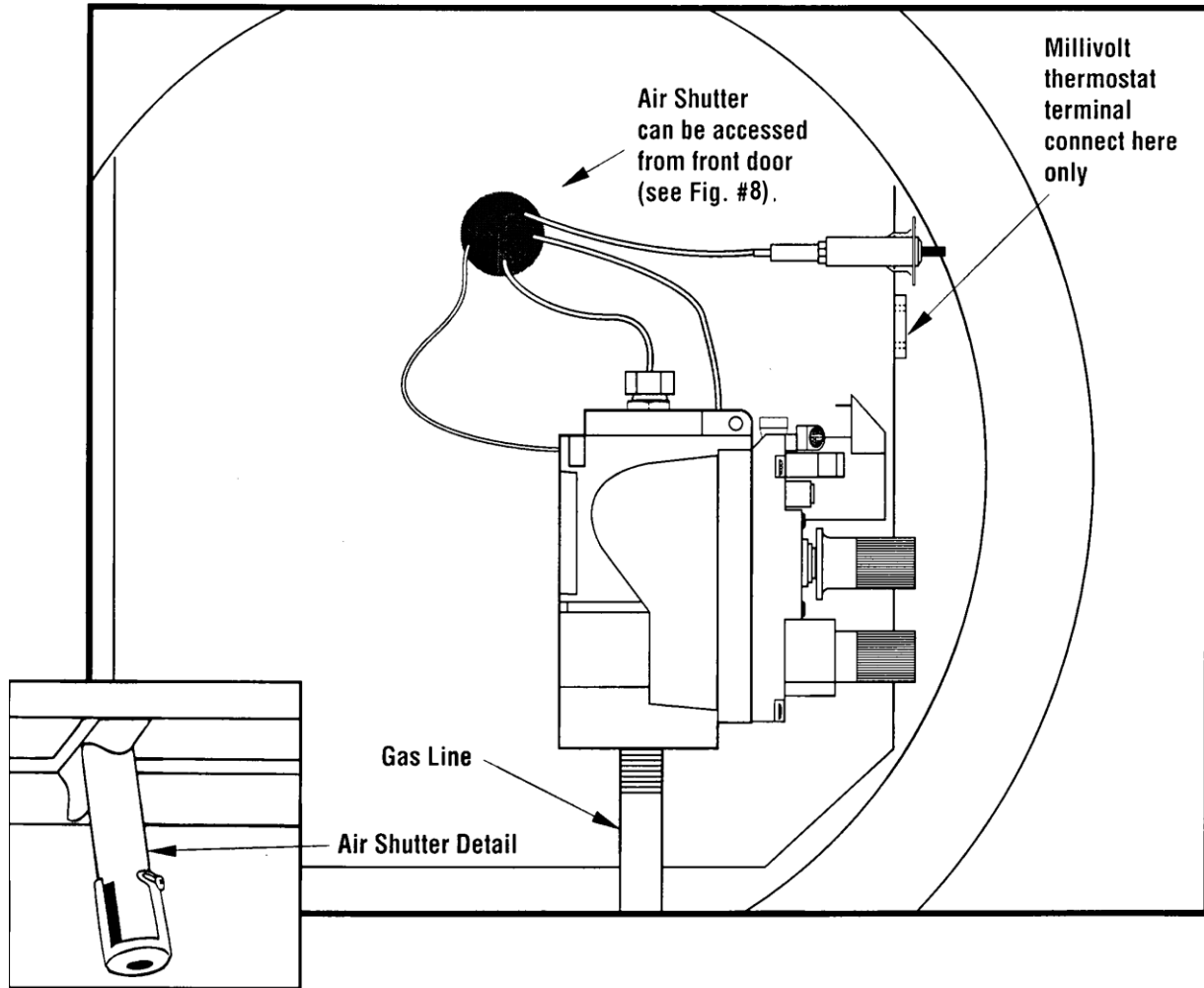
This appliance must be installed in accordance with all local codes, if any. If not, follow ANSI Z21.88-b-2003/SA 2.33 b-2003. Installation codes, ANSI 223.1, NFPA 54, CSA B149.1 current editions.

Please record the following information and keep this manual as a permanent document for your records in case you require service in the future.

Mail in your warranty card and save your bill of sale. You will need to show this evidence of date of purchase to receive full warranty coverage.

**FIGURE 3 – BOTTOM VIEW SHOWING AIR SHUTTER AND LOCATION FOR PRESSURE GAUGE INSERTION**

(Burner must be removed to access air shutter)



### ORIFICE INFORMATION

Factory installed orifices are as follows:

- Natural Gas = #43 (up to 4,500' elevation)
- LP Gas = #55 (up to 4,500' elevation)

Recommendation: If installing at higher altitudes, Thelin recommends, at the discretion of the installer:

- Natural Gas = #45 (5,000' to 7,000' elevation)
- LP Gas = #56 (5,000' to 7,000' elevation)

**REMEMBER!** The size of the orifice hole should be reduced the higher the elevation.

### Orifice Size

The orifices are factory installed for altitudes up to 4,500 feet. If installing in a higher altitude check the orifice information (see Figure 3).

### Electrical Rating

Room fan electrical rating is 115 V, 1.3 A, 60 Hz.

### Dimensions

See Figure 1 for heater dimensions.

### Gas Data

#### Input BTU:

Natural gas: 22,000 High, 13,200 Low  
Propane: 21,500 High, 12,900 Low

#### Minimum Inlet Pressure:

Natural gas: 5.5" WC (Water Column)  
Propane: 11.5" WC

#### Suggested Maximum Pressure:

Natural gas: 3.5" WC  
Propane: 11.0" WC

## **INSTALLATION**

Installation and repair should be done by a qualified service technician. The appliance should be inspected before use and at least annually by a professional service technician. More frequent cleaning may be required due to excessive lint from carpeting, bedding, material, etc. It is imperative that control compartments, burners, and circulating air passageways of the appliance be kept clean.

### Pipe Size

4" x 6-5/8" Direct Vent

### Clearance to Combustibles (See Figure 2)

See Listing Label for clearance to combustibles. Due to high temperatures, the room heater should be located out of traffic and away from furniture and draperies. Children and adults should be alerted to the hazards of high surface temperature and should stay away to avoid burns or clothing ignition.

### Floor Protection

Floor protection is not required when installing the Direct Vent stoves, but is recommended if placed on carpet or any other soft material for the stove to remain level. In addition, the following criteria must be adhered to when installed:

1. Install on level and secure floor.
2. Due to high temperatures, the room heater should be located out of traffic and away from furniture and draperies.
3. When placed in a location where the floor-to-ceiling height is under 7', the installation is considered an alcove and must meet the following criteria: Floor to ceiling of alcove must be a minimum of 45". The depth of the alcove must be at least 27".

### Bedroom Installation

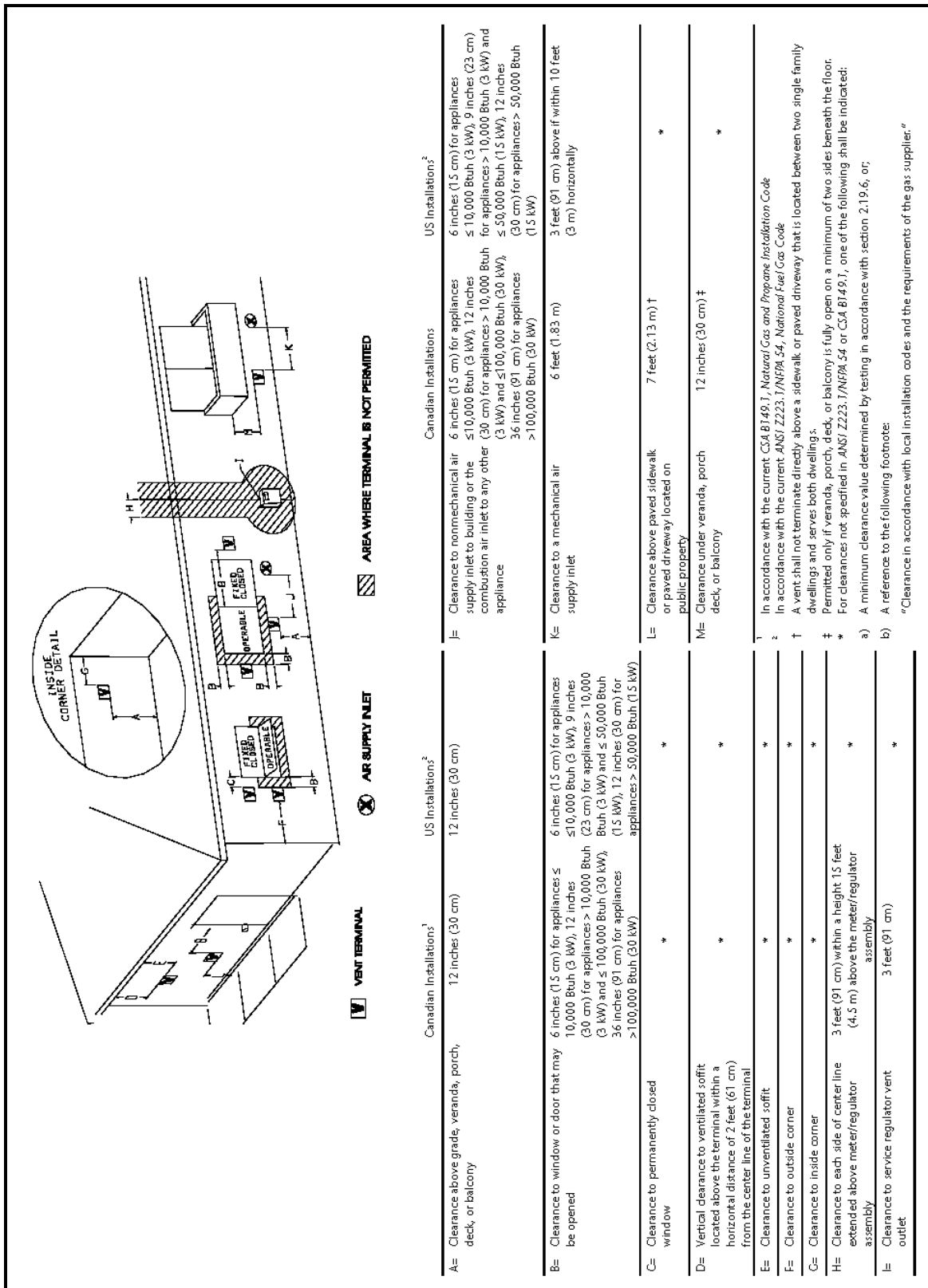
This Direct Vent appliance may be installed in a sleeping room provided the wall thermostat option is utilized.

### Horizontal Installation

Maintain a 1" clearance from combustibles to pipe through the wall. Check all local and national building codes. Termination clearances are as follows (see Figure 4).

- A. Clearance above ground, verandah, porch, deck, or balcony: 12" minimum (30 cm.)

FIGURE 4 – VENT TERMINATION LOCATIONS



- B. Clearance to window or door that may be opened:

Canadian Installation: 6" minimum (15 cm) for appliances  $\leq$  10,000 Btuh (3 kW); 12" (30 cm) for appliances  $>$  10,000 Btuh (3 kW) and  $\leq$  100,000 Btuh (30 kW), 36" (91 cm) for appliances  $>$  100,000 Btuh (30 kW)

U.S. Installation: 6" minimum (15 cm) for appliances  $\leq$  10,000 Btuh (3 kW); 9" (23 cm) for appliances  $>$  10,000 Btuh (3 kW) and  $\leq$  50,000 Btuh (15 kW), 12" (30 cm) for appliances  $>$  50,000 Btuh (15 kW)

- C. Clearance to permanently closed window: Clearance in accordance with local installation codes and the requirements of the gas supplier.

- D. Vertical clearance to ventilated soffit located above the terminal with a horizontal distance of 2 feet (61 cm) from the center line of the terminal: Clearance in accordance with local installation codes and the requirements of the gas supplier.

- E. Clearance to unventilated soffit: Clearance in accordance with local installation codes and the requirements of the gas supplier.

- F. Clearance to outside corner: Clearance in accordance with local installation codes and the requirements of the gas supplier.

- G. Clearance to inside corner: Clearance in accordance with local installation codes and the requirements of the gas supplier.

- H. Clearance to each side of center line extended above meter/regulator assembly:

Canadian Installation: 3' (91 cm) within a height 15' (4.5 m) above the meter/regulator assembly.

U.S. Installation: Clearance in accordance with local installation codes and the requirements of the gas supplier.

- I. Clearance to service regulator vent outlet:

Canadian Installation: 3' (91 cm)

U.S. Installation: Clearance in accordance with local installation codes and the requirements of the gas supplier.

- J. Clearance to non-mechanical air supply inlet to building or the combustion air inlet to any other appliance:

Canadian Installation: 6" (15 cm) for appliances  $\leq$  10,000 Btuh (3 kW); 12" (30 cm) for appliances  $>$  10,000 Btuh (3 kW) and  $\leq$  100,000 Btuh (30 kW), 36" (91 cm) for appliances  $>$  100,000 Btuh (30 kW)

U.S. Installation: 6" minimum (15 cm) for appliances  $\leq$  10,000 Btuh (3 kW); 9" (23 cm) for appliances  $>$  10,000 Btuh (3 kW) and  $\leq$  50,000 Btuh (15 kW), 12" (30 cm) for appliances  $>$  50,000 Btuh (15 kW)

- K. Clearance to a mechanical air supply inlet:

Canadian Installation: 6' (1.83 m)

U.S. Installation: 3' (91 m) above if within 10' (3 m) horizontally

- L. Clearance above paved sidewalk or paved driveway located on public property:

Canadian Installation: 7' (2.13 m)

U.S. Installation: Clearance in accordance with local installation codes and the requirements of the gas supplier

- M. Clearance under veranda, porch deck, or balcony:

Canadian Installation: 12" (30 cm)

U.S. Installation: Clearance in accordance with local installation codes and the requirements of the gas supplier

Maximum horizontal run 4' after 2' vertical rise.



### Mobile Home Installation

Direct Vent appliances installed in Mobile Homes must be secured to the floor in a minimum of two locations. Drill holes through the two back legs and counter sink and secure with lag screws. Fill counter sink holes with putty or furnace cement and paint.

### Alcove

This heater may be installed in an alcove with the following minimum dimensions:

Width:	45"
Height:	45"
Depth:	27"

### Venting Requirements

For proper venting, see Figure 5 and install according to the following requirements.

**WARNING:** The gas appliance and vent system must be vented directly to the outside of the building and never be attached to a chimney serving a separate solid flue or gas burning appliance. **Each direct vent gas appliance must use its own separate vent system. Common vent systems are prohibited.**

### Installer

The installer should:

- Wear gloves and safety glasses for protection.
- Exercise extreme caution when using ladders or on roof tops.
- Be aware of electrical wiring locations in walls and ceilings.

## **PLANNING THE INSTALLATION**

There are two basic types of Direct Vent installations:

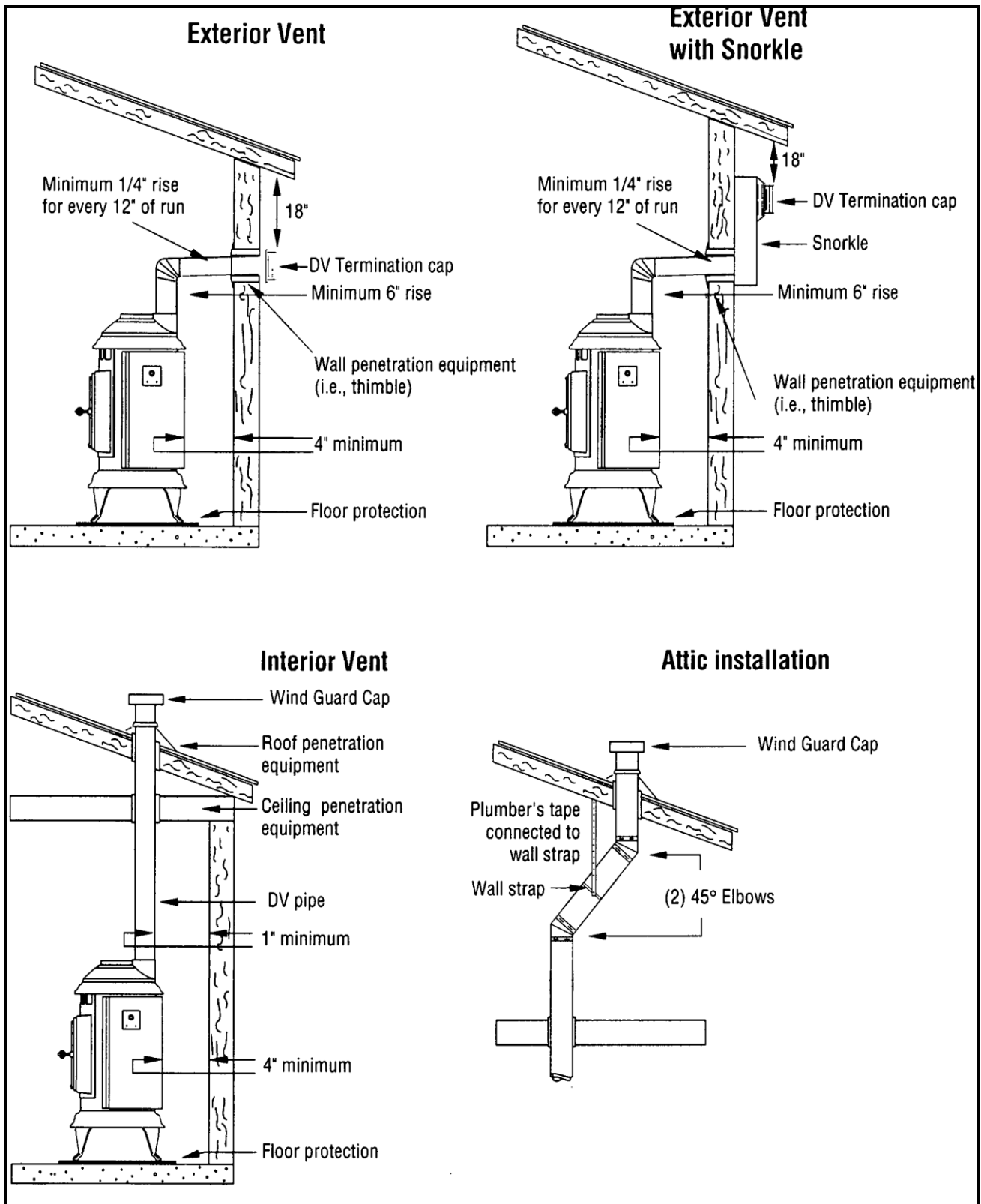
- Horizontal termination (Figure 5 and Figure 6)
- Vertical termination (Figure 5 through Figure 7)

When planning your installation, it will be necessary to select the proper length of vent pipe for your particular requirements. For horizontal installations, determine the minimum clearance from the rear of the appliance to the wall (see the Listing Label). It is also important to note the wall thickness. Select the amount of vertical rise desired for "vertical-to-horizontal" type installations. For vertical installations, determine the length of vent pipe required by measuring the distance from the appliance flue outlet to the ceiling, the ceiling thickness, the vertical rise in the attic or second story, and allow for sufficient vent height above the roof line. For two-story applications, firestops are required at each floor level. If an offset is needed in the attic, additional pipe and elbows will be required. Venting terminals shall not be recessed into a wall or siding.

### Snorkel

For installations requiring a vertical rise on the exterior of a building, 14" or 36" tall Snorkel Termination, as shown in Figure 5, are available. If the Snorkel Termination must be installed below grade (i.e., basement application), proper drainage must be provided to prevent water from entering the Snorkel Termination (see Figure 5). **Do not attempt to enclose the Snorkel within the wall or any other type of enclosure.**

FIGURE 5 – DIAGRAM OF VENTING REQUIREMENTS



### Vertical Installation

Vertical installation is acceptable: be aware of the following conditions: Vertical rises can sometimes create turbulence which will put out the pilot light. In this event the air intake restrictor disks (see Appendix A) will have to be adjusted to compensate for air turbulence. Qualified service personnel can make this adjustment..

Clearances to combustibles when passing through ceilings, walls, roofs, enclosures, attic rafters, or other close combustible surfaces are as follows: 1” to pipe from any combustible surfaces.

### Notes

1. If an offset is necessary in the attic to avoid obstructions, it is mandatory to support the vent pipe every 3 feet, to avoid excess stress on the elbows (see Figure 5). Vertical installations that require offsets must use 45-degree elbows. The 45-degree elbows offer less restriction to the flow of flue gasses and intake air.
2. For multi-story vertical installations, a ceiling firestop is required at the second floor, and any subsequent floors.
3. **Any occupied areas above the first floor, including closets and storage spaces that the vertical vent passes through must be closed.** The enclosure may be framed and sheet rocked with standard construction materials. Maintain the clearance to combustibles inside the enclosure as per the Listing Label. Do not fill any of the air spaces with insulation.

### **GENERAL VENTING MAINTENANCE**

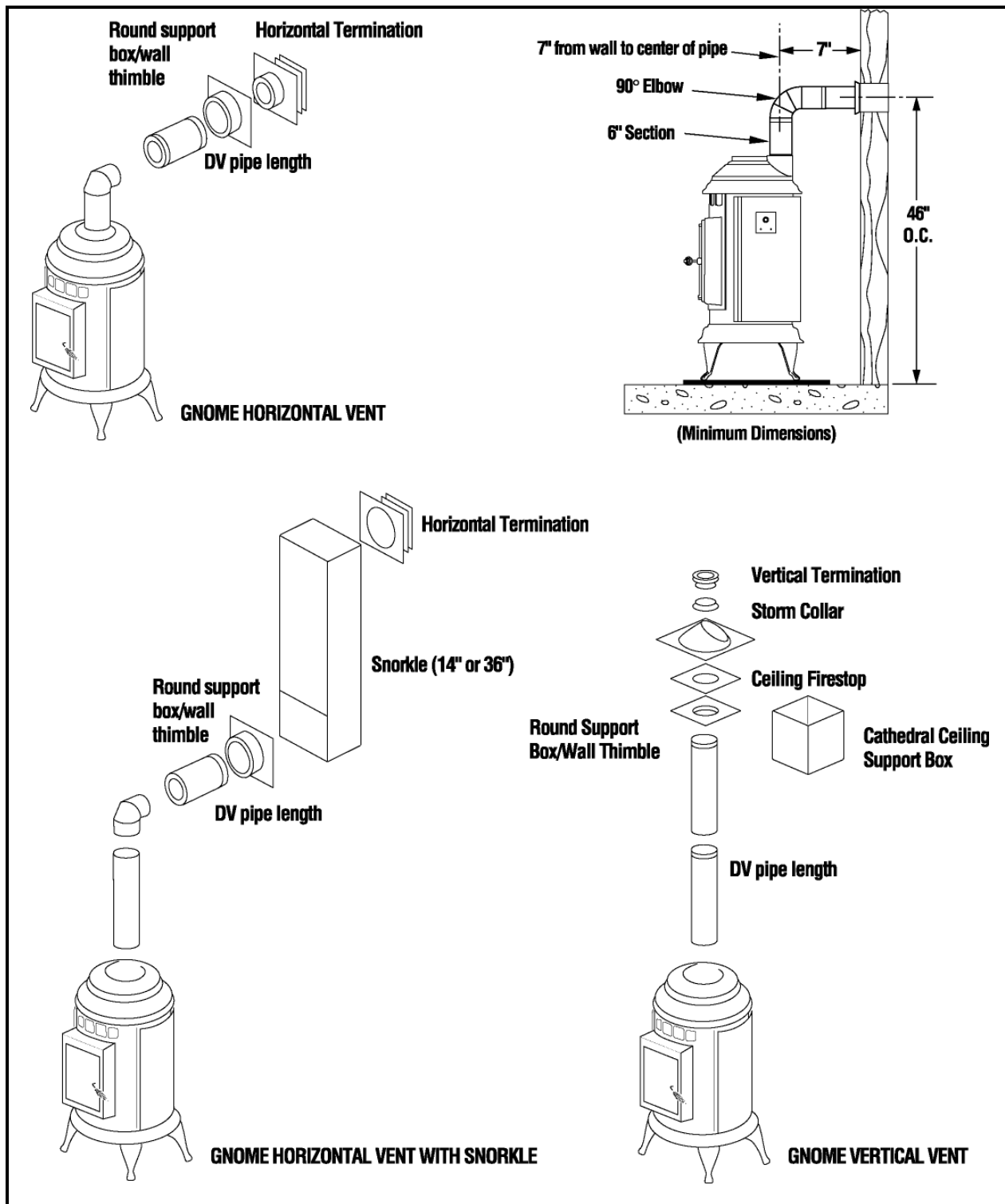
Conduct an inspection of the venting system semi-annually. A periodic examination of venting system should be done by a qualified agency. Recommended areas to inspect are as follows:

1. Check all areas of the venting system exposed to the elements for corrosion. Corrosion will appear as rust spots, streaks, and in extreme cases, holes. Any components with these symptoms must be replaced.
2. Remove the termination cap and shine a flashlight down the vent pipe. Remove any bird nests or other foreign material.
3. Check for evidence of excessive condensation such as water droplets forming on the inner liner or dripping from the pipe vent joints. Continuous condensation can cause corrosion of caps, pipe, and fittings. It may be caused by having excessive lateral runs, too many elbows, and exterior portions of the system being exposed to cold weather.
4. Inspect joints to ensure that no pipe sections or fittings have been disturbed or loosened. Check mechanical supports such as wall straps, plumbers tape, etc., for strength, fastening, and rigidity.

### Gas Line Installation

The gas line must be installed in accordance with all local codes. See Figure 9 for location of gas hook-up on back of heater. The gas line must be purged and this hook-up checked for gas leaks before proceeding to light pilot. A gas line shut-off valve is required no more than 3’ upstream from the heater. Note: The gas hook-up on the back of the heater is 3/8” N.P.T. When pressure testing the gas supply at test pressures in excess of 1/2 psig (3.5kPa) you must isolate the heater from the supply line by disconnecting or utilizing the gas shut off valve.

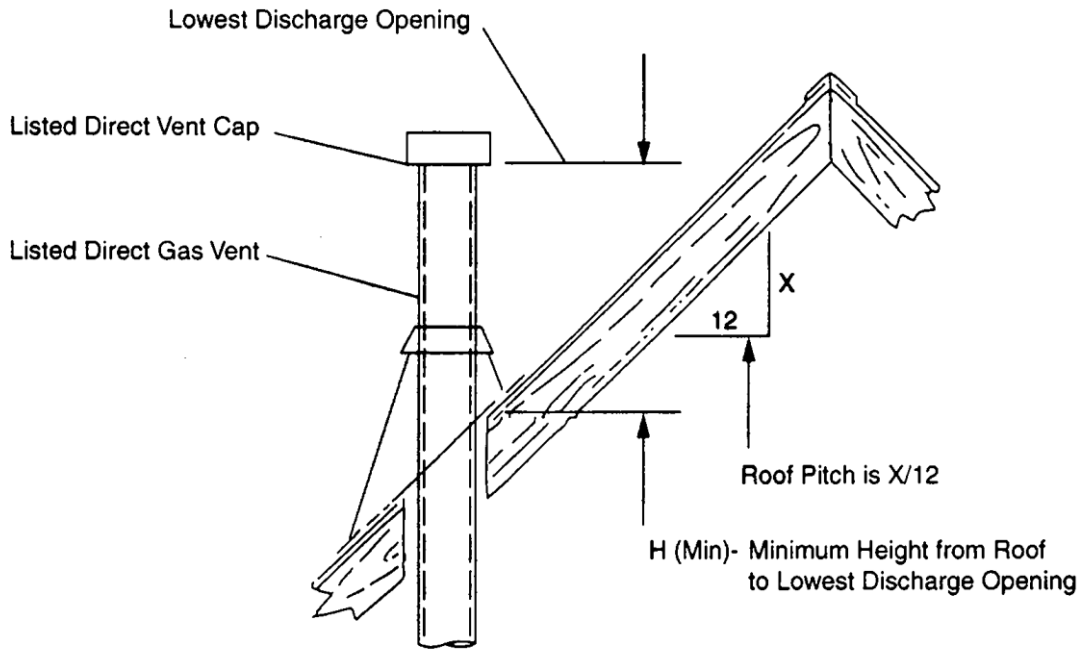
FIGURE 6 – PIPE CONFIGURATIONS



**FIGURE 7 – VENT TERMINATION**

Wind flow over roof structures can often cause localized pressure disturbances. Vent termination must take into account these disturbances and minimize them by using the following table to maintain the correct legal height of the vent.

NOTE: If your installation involves a roof with a slope greater than 6/12 or if a wall or other vertical obstruction is within 8’ of the vent termination, the vent termination will have to be taller in accordance with the following table.



Roof Pitch	H (Min.) Ft.
Flat to 6/12 .....	1.0
Over 6/12 to 7/12 .....	1.25
Over 7/12 to 8/12 .....	1.5
Over 8/12 to 9/12 .....	2.0
Over 9/12 to 10/12 .....	2.5
Over 10/12 to 11/12 .....	3.25
Over 11/12 to 12/12 .....	4.0
Over 12/12 to 14/12 .....	5.0
Over 14/12 to 16/12 .....	6.0
Over 16/12 to 18/12 .....	7.0
Over 18/12 to 20/12 .....	7.5
Over 20/12 to 21/12 .....	8.0

## OPERATION

### Location of Controls

See Figure 9 for location of controls. Control functions are outlined below.

### Gas Control Knob

This knob is used for starting the pilot and has three (3) positions: On, Off, and Pilot. The pointer directly above the knob indicates the position the knob is in.

### INSTALLATION CHECKLIST

Check off the following list before proceeding to light the heater.

- There are no combustibles placed within 36" of heater or vent pipe or any combustibles that can swing within 36" of heater such as door drapes, etc.
- The location of the main shut off valve is known by everyone in the house (it is usually next to the gas meter or propane tank). EVERYONE must know where this valve is located.
- All necessary permits and installation information have been obtained and the final inspection has been performed by the local building inspector.
- The operation instructions located on the side of the heat shield have been read and understood. A copy of these instructions can be found in the "Operation" section of this manual.
- The operator and pilot igniter have read this manual thoroughly and understand it.

### Hi/Lo Flame Adjust

This knob controls the burn, either high or low. It is operated manually by turning the knob. Once in position, the wall thermostat will turn on the burner to the position which this knob is set.

### Pilot Igniter

This button is used to ignite the pilot. It is pushed in while the gas control knob is in the Pilot position. When pressed, it creates a spark at the pilot, igniting it.

### Burner On/Off Switch

This switch turns the burner on after the pilot is lit. When the wall thermostat is hooked up, this switch will remain in the "On" position after the pilot is lit. The wall thermostat will then turn the heater on automatically when indicated.

### Fan Control Knob

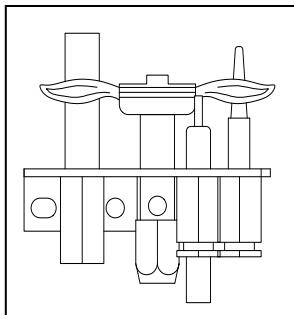
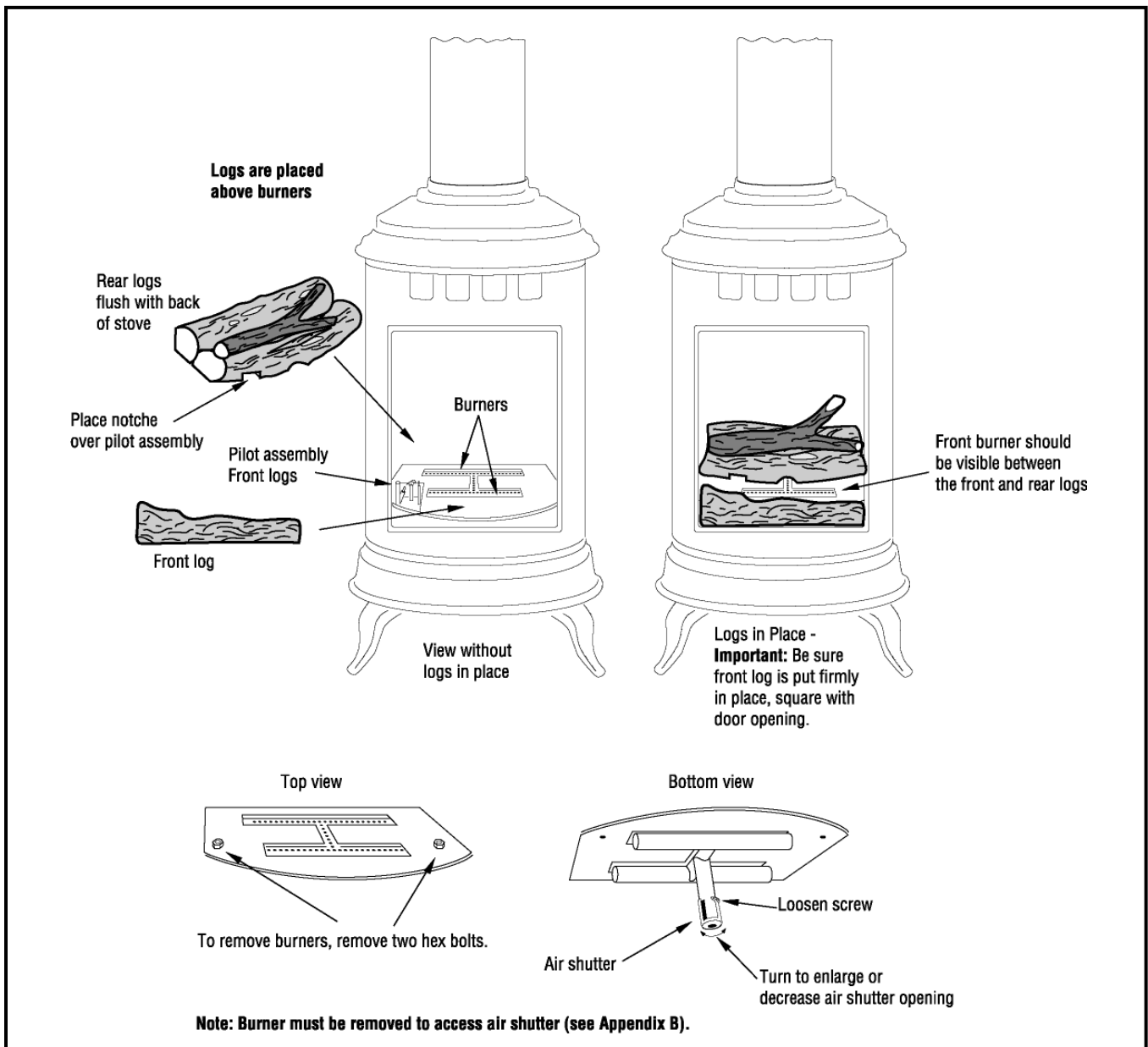
This knob controls the speed of the room fan after the fan comes on.

**NOTE:** The fan comes on automatically after the heater gets warm, usually about 10 to 15 minutes.

### Wall Thermostat Control (Millivolt Thermostat Mandatory)

Hook thermostat wire (2) to the terminals as indicated in Figure 9, if you choose the wall thermostat option. Keep in mind the heater will run until the thermostat signals it is too hot in the room. It will then turn the heater to pilot only. Location of the wall thermostat is crucial. If it is too close to the heater, the unit will shut down frequently. If it is too far away, the heater will run longer than may be necessary. Place the wall thermostat approximately twelve (12) feet from the heater.

**FIGURE 8- LOCATION OF PILOT, BURNERS, AND LOGS**



**Burner and Pilot Checks**

A periodic check of the pilot and burner lames should be made. Check after the fire has been on for at least 30 minutes. The pilot flame must cover the tip of the thermocouple and thermopile probes. If the pilot flame does not sufficiently cover the probes it can be adjusted using the pilot adjustment screw found on the front of the gas valve. The main burner flame pattern will vary from appliance to appliance depending on the type of installation and climatic conditions.

**Air Shutter Detail showing location of screw.**

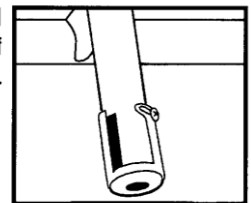
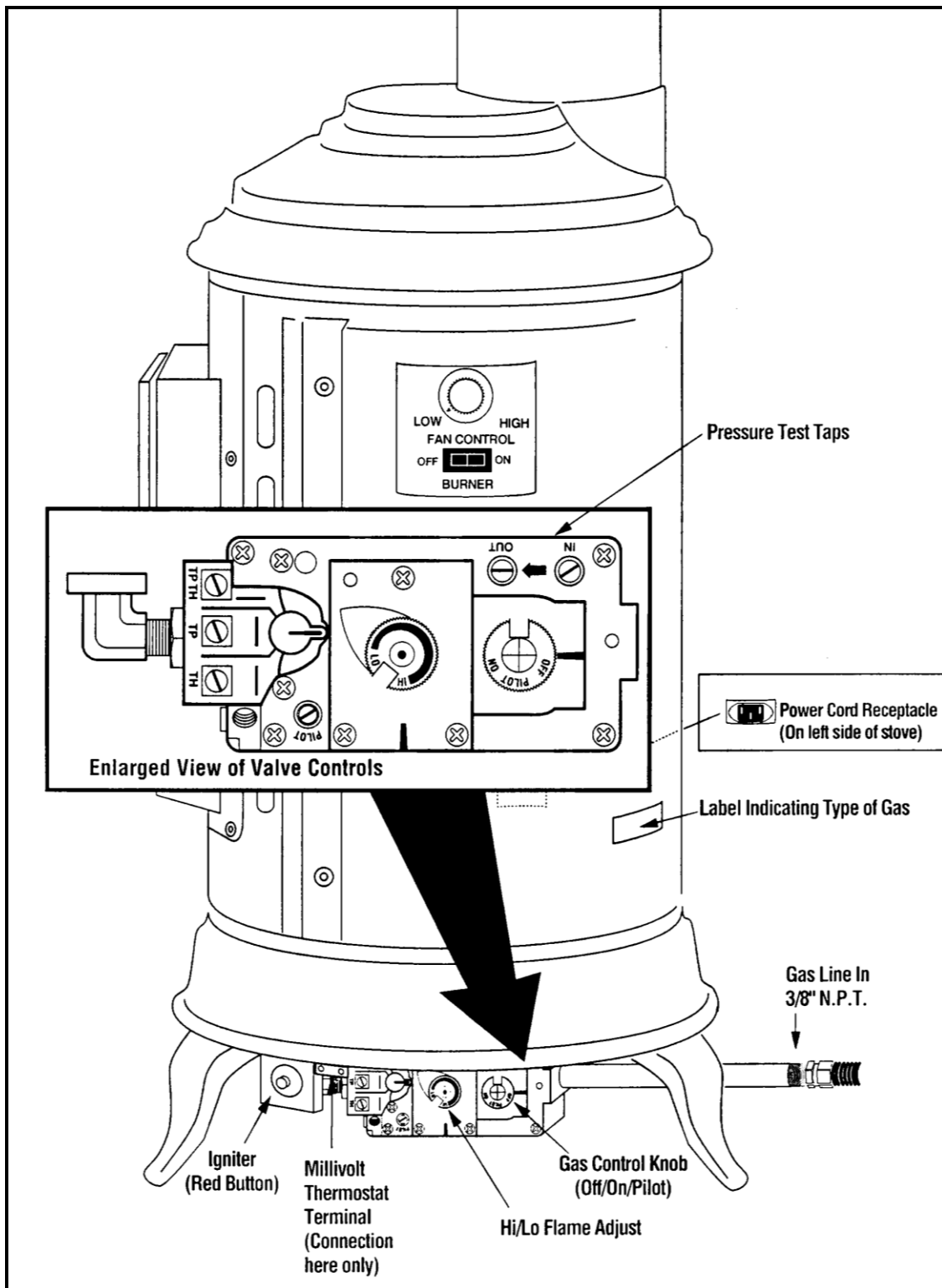


FIGURE 9 – DIAGRAM OF CONTROL COMPONENTS





## LIGHTING THE PILOT

**STOP! Read the following safety information before lighting.**

This heater is equipped with an ignition device which must be lighted by hand. When lighting the pilot, follow these instructions exactly.

Before lighting, smell all around the appliance area for gas. Be sure to smell next to the floor because gas can be heavier than air and it will settle on the floor.

**IF YOU SMELL GAS, FOLLOW INSTRUCTIONS OUTLINED AT THE BEGINNING OF THIS MANUAL!**

### Initial Burn, Fan, and Flame

The first time the heater is used, a paint odor will be discernible. This odor is from the paint curing on the outside of the heater. This is normal. The initial flame will at first be blue. It will become more yellow and “fire like.” Adjust the flame height using the Hi/Lo flame adjust (see Figure 9). If flame is low, turn the fan control to the lower setting. Do not, however, turn the flame to “Hi” and leave the fan control on the low speed. A good rule is high flame, high fan and low flame, low fan.

### Normal Sounds

A whisper sound from the pilot, upon start up, might be audible, a clicking in the gas control valve, and a whirring sound as the fan turns on: these sounds are all normal.

**WARNING:** Do not burn heater if glass is cracked or broken. See “Maintenance” for replacing glass.

## MAINTENANCE

Make sure that there is adequate clearance for accessibility to service and operate the heater. Always verify proper operation after servicing. Every year inspect the fire box, burner, and glass gasket to make sure they are clean and functioning properly.

**WARNING:** Failure to inspect and maintain the heater may lead to improper burning inside the heater and could create a dangerous situation.

### Burner, Firebox, and Pilot Inspection

The firebox should be inspected for any soot or dust build-up that might occur during operation. To inspect these components, open the door by unscrewing the handle until the door comes open.

Remove the logs gently and inspect the holes in the burner plate to make sure that they are not clogged. Inspect the metal for signs of deterioration. There should be no soot in the firebox except where the

flame might brush against the logs. If soot is visible, you contact your dealer or service technician for an adjustment. Visually inspect the pilot for soot build-up, proper flame height, and any obstruction. This inspection should be done periodically to ensure proper performance. See Figure 8 and Appendix B for location of pilot.

### Fan Cleaning

The fan should be cleaned at least once per season. To do this remove the outer shield and vacuum the squirrel cage fan blades. See Figure 12 for location of fan.

### Door Gasket

Make sure the door gasket is sealed and creates a tight seal around the door.

## FOR YOUR SAFETY, READ BEFORE LIGHTING

**WARNING: If you do not follow these instructions exactly, a fire or explosion may result causing property damage, personal injury or loss of life.**

A. This appliance has a pilot which is lit with a push-button piezo lighter. When lighting the pilot, follow these instructions exactly. BEFORE LIGHTING, smell all around the appliance area for gas. Be sure to smell next to the floor because some gas is heavier than air and will settle on the floor.

### B. WHAT TO DO IF YOU SMELL GAS:

- Do not try to light any appliance.
- Do not touch any electric switch; do not use any phone in your building.
- Immediately call your gas supplier from a neighbor's phone. Follow the gas suppliers instructions.
- If you cannot reach your gas supplier, call the fire department.

Use only your hand to push in or turn the gas control knob. Never use tools. If the knob will not push in or turn by hand, don't try to repair it; call a qualified service technician. Force or attempted repair may result in a fire or explosion.

Do not use this appliance if any part has been under water. Immediately call a qualified service technician to inspect the appliance and to replace any part of the control system and any gas control which has been under water.

## LIGHTING INSTRUCTIONS

1. STOP! Read the safety information above.
2. Set the thermostat to the lowest setting.
3. Controls are located at the bottom right side of the unit.
4. Turn the manual burner switch to the "OFF" position.
5. Push in gas control knob slightly and turn clockwise  $\curvearrowright$  to "OFF".

Note: Knob cannot be turned from "PILOT" to "OFF" unless knob is pushed in slightly. Do not force.

6. Wait five minutes to clear out any gas. Then smell for gas, including near the floor. If you smell gas, STOP! Follow "B" in the safety information above on this label. If you don't smell gas, go to the next step.
7. Find pilot – follow metal tube from the gas control. The pilot is located in the front right of the firebox (Echo) or front left (Parlour, Gnome).
8. Turn control knob counterclockwise  $\curvearrowleft$  to "PILOT" position.
9. Depress control knob and push in Piezo igniter button. Once pilot ignites, continue to hold the control knob in for about one (1) minute after the pilot is lit. Release knob and it will pop back up. Pilot should remain lit. If it goes out, repeat steps 4 through 7.
- If knob does not pop up when released, stop and immediately call your service technician or gas supplier.
- If the pilot will not stay lit after several tries, turn the gas control knob to "OFF" and call your service technician or gas supplier.
8. Turn gas control knob counter clockwise  $\curvearrowleft$  to "ON". Set thermostat to desired setting or turn stove switch to "ON" position.

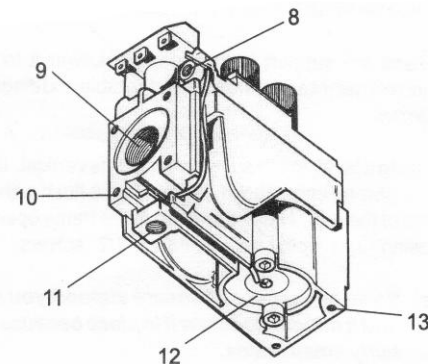
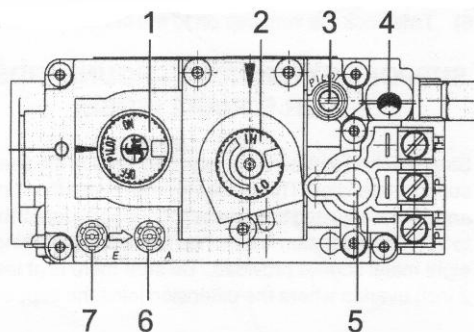
## TO TURN OFF GAS TO APPLIANCE:

1. Set the thermostat to the lowest setting.
2. Turn off all electric power to the appliance if service is to be performed.
3. Push in gas control knob slightly and turn clockwise  $\curvearrowright$  to "OFF". Do not force.

**Note: The valve is equipped with a safety lock out, once in the off position you must wait until the thermopile has cooled down before attempting to light pilot. (Approximately 3 minutes)**

### SIT VALVE PILOT DESCRIPTION

1. Control Knob
2. High Low Knob
3. Pilot Adjuster
4. Thermocouple Tap
5. Main Operator
6. Manifold Pressure Tap
7. Supply Pressure Tap
8. Pilot Hood
9. Thermocouple
10. Pilot Housing
11. Spark Igniter
12. Thermocouple



\* Pilot orifice located inside pilot hood (pull out to change)

FDM 1002

### Glass Replacement

**WARNING:** Do not operate this appliance with the glass removed, cracked, or broken. Replacement of glass should be done by a licensed or qualified service technician.

Glass replacement can be done by lifting the door off the stove and removing the face plate. The glass and gasket must be replaced as complete assembly furnished by Thelin Hearth Products. Do not substitute materials or try to cut glass that is not furnished by Thelin Hearth Products.

Do not abuse glass by slamming door or striking foreign object against glass. **Do not clean glass with abrasive cleanser or when hot!**

### Polishing the Gold and Chrome

All gold and chrome plating used on the Gnome can be cleaned with a soft cloth and non-abrasive cleaner.

### Cleaning and Polishing Gold-Plated Parts

Gold is a soft metal and, therefore, has a fragile surface. It will not discolor from heat, but it can easily be scratched. **Prior to the first burn it is important to use Kel Kem Spray Gold Cleaner or Flitz Faucet & Fixture Wax and a soft clean cloth to wipe any fingerprints off all gold surfaces or the heat will cause the oil in the fingerprint to remain in the surface permanently.** Always clean the gold surface when the heater is cool!

## TROUBLESHOOTING

**WARNING:** All servicing and troubleshooting of gas controls and high voltage circuits should be done by a qualified service technician.

As a guide to help you understand the functioning and potential problem areas in your heater, use the following chart. When in doubt, do not hesitate to call your service representative or the gas supplier who furnishes you with natural gas or propane.

### PROBLEM

### POSSIBLE CAUSE

Pilot will not light

- A gas shut-off valve is turned off
- The gas control valve is not turned to pilot
- The gas control valve wasn't pushed in and/or the igniter wasn't pushed repeatedly
- Piezzo lighter is not sparking

Main burner does not come on

- The pilot has gone out
- The burner on/off switch is turned off
- The thermostat is disconnected or set too high

Fan does not work or is sluggish

- Cord is unplugged
- Heater is not up to temperature and sensor has not activated
- Fan needs cleaning

Thermostat does not work

- Pilot has gone out
- On/Off switch is turned to Off
- Thermostat is set too high

Flame is dirty and orange, and glass is sooty

- Logs are not placed properly or something may be obstructing burn
- Air adjustment may be required by a service technician

Flames are too short

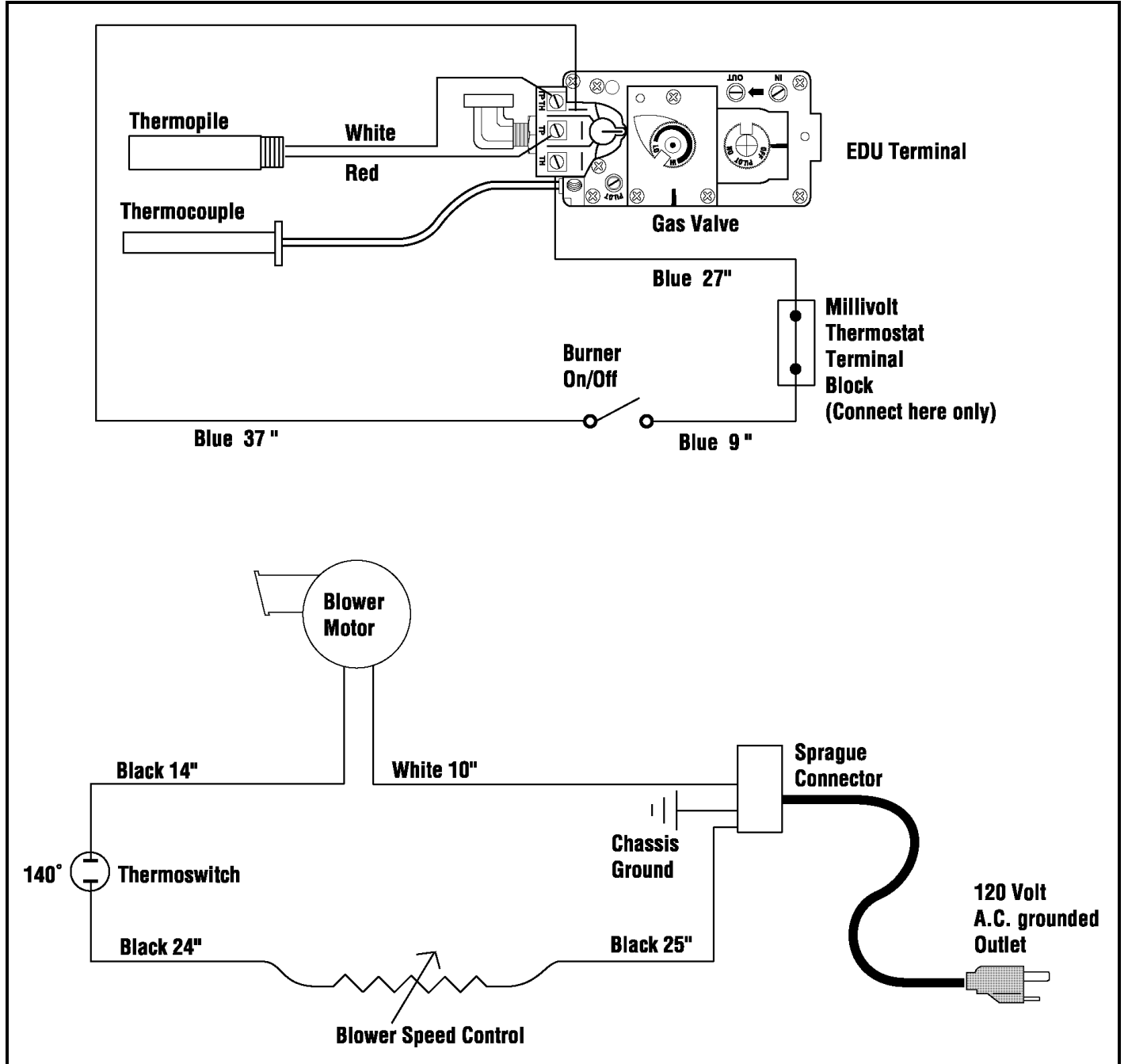
- Hi/Lo flame adjust knob is turned too low (see Figure 9)

**REPLACEMENT PARTS LIST**

Replacement parts are available at your dealer. The parts listed below are the only parts that the consumer may replace. All other parts must be replaced by a qualified gas service person.

<b>PART</b>	<b>DESCRIPTION</b>
Door Gasket	White 3/8" dia. fiberglass rope 51" long
Glass Gasket	Tape Knit Hytex 301B Channel
Door Glass	5 mm Pyroceram 7 5/8" x 5 5/8"
Control Knob	Round inlayed knob with 0.25" shaft
Line Cord	7'-5" 3 wire 18G black cord
Log Set	Front and back logs
Owner's Manual	This document

FIGURE 10 – WIRING DIAGRAM



## THELIN HEARTH PRODUCTS LIMITED WARRANTY

Thelin Hearth Products warrants the Gnome Direct Vent Gas Heater against defects in material and workmanship for a period of five (5) years from the date of purchase with the exception of the electrical components, gaskets, logs, moving parts, gas valve and control, and burner which are warranted for a period of one (1) year from date of purchase. Glass, gasketing, gold plating, and paint are not covered by the warranty. This warranty does not include service call cost or any other additional charges. **Some Dealers may require you to pay a service call or trip charge for any warranty work.**

Exclusions to this limited warranty include: Injury due to malfunction of the product, loss, damage, defect, failure to function, due to an accident, negligence, misuse, improper installation, alteration or adjustment of the manufacturer's settings, lack of proper and regular maintenance, damage incurred while in transit, or an act of God.

Only the original purchaser of this heater is covered by this limited warranty. If the unit is used for commercial purposes, it is excluded from this warranty. The warranty is automatically voided if the unit's serial number has been removed or altered in any way or the wrong fuel has been used.

No dealer, distributor, or similar person has the authority to represent or warrant Thelin Hearth Products beyond the terms contained in this limited warranty. Thelin Hearth Products assumes no liability for such representations or warranties.

**THIS LIMITED WARRANTY IS THE ONLY WARRANTY SUPPLIED BY THELIN HEARTH PRODUCTS (UNLESS AN EXTENDED WARRANTY HAS BEEN PURCHASED) THE MANUFACTURER OF THE UNITS. ALL OTHER WARRANTIES, WHETHER EXPRESS OR IMPLIED, ARE HEREBY EXPRESSLY DISCLAIMED AND PURCHASER'S RECOURSE IS EXPRESSLY LIMITED TO THE WARRANTIES SET FORTH WITHIN.**

**HOW TO USE THIS WARRANTY:** If you find this unit to be defective in material and/or workmanship within a period of five (5) years from the date of purchase, contact your local dealer from whom you purchased the heater. All warranty work must be authorized by the factory in advance of repair and an authorization number assigned. A warranty repair claim form must be signed by both the dealer and the customer. In the event your dealer is no longer in business or you cannot locate a dealer, you may do the following: Call or write factory, giving proof of purchase information and a narrative description of the defect together with your name and address. Only the factory can authorize a heater or part return. Upon authorization by factory, return defective heater or part, freight prepaid to Thelin Hearth Products, Warranty Division, 12400 Loma Rica Drive, Grass Valley, CA 95945. Returned part or product will be repaired or replaced at Thelin Hearth Products' option and will be returned to you, freight prepaid, as soon as practical, but not later than 30 days after receipt.

To register your Thelin Hearth Products warranty, complete and sign the enclosed warranty card and mail it within ten (10) days from date of purchase.

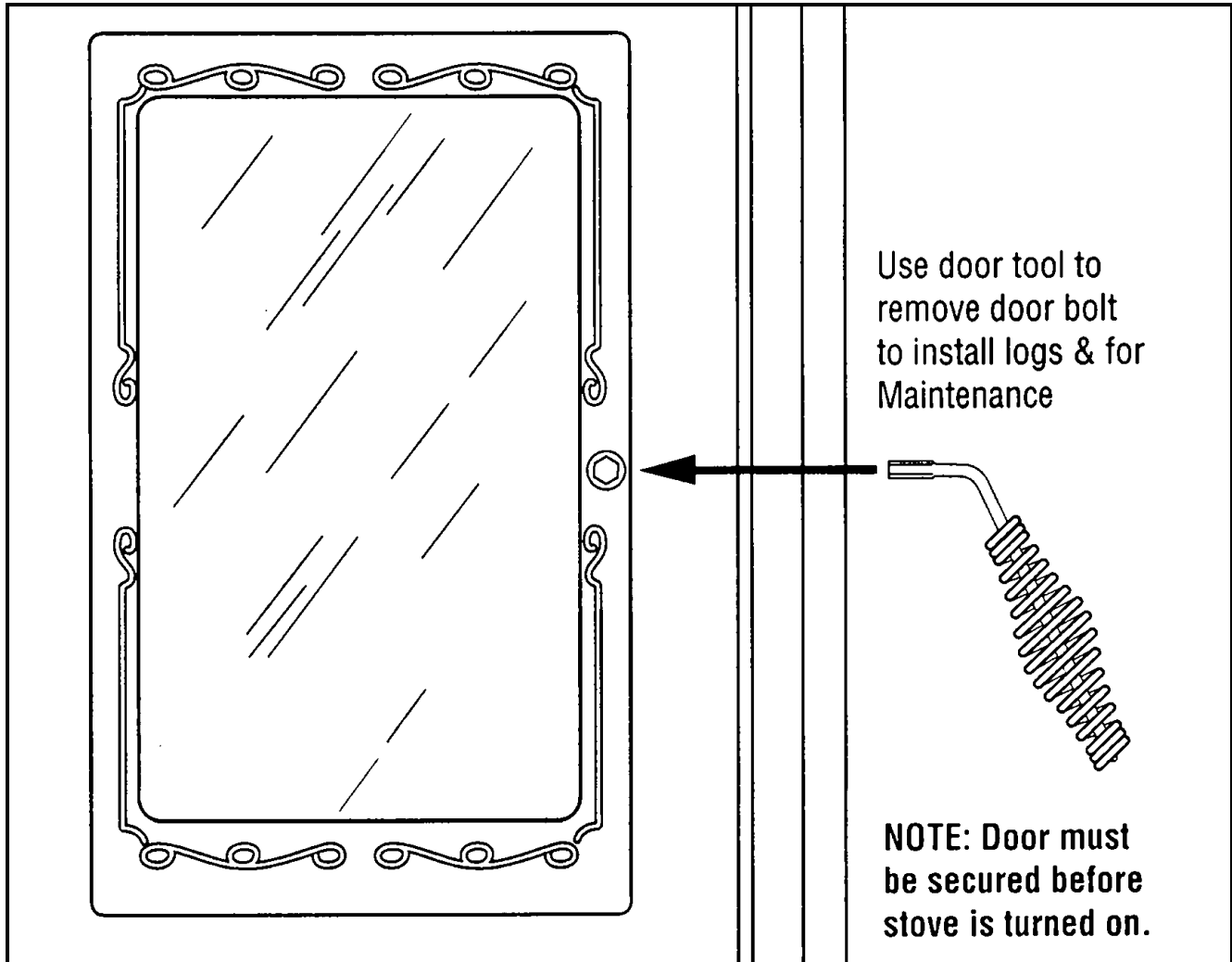
**OTHER RIGHTS:** This warranty provides you with certain legal rights. You may have additional rights, which vary from state to state in regard to this warranty.

### COMPLETE AND SAVE FOR YOUR RECORDS

Date Purchased: \_\_\_\_\_ Serial Number: \_\_\_\_\_

Dealer/Retailer where Purchased: \_\_\_\_\_

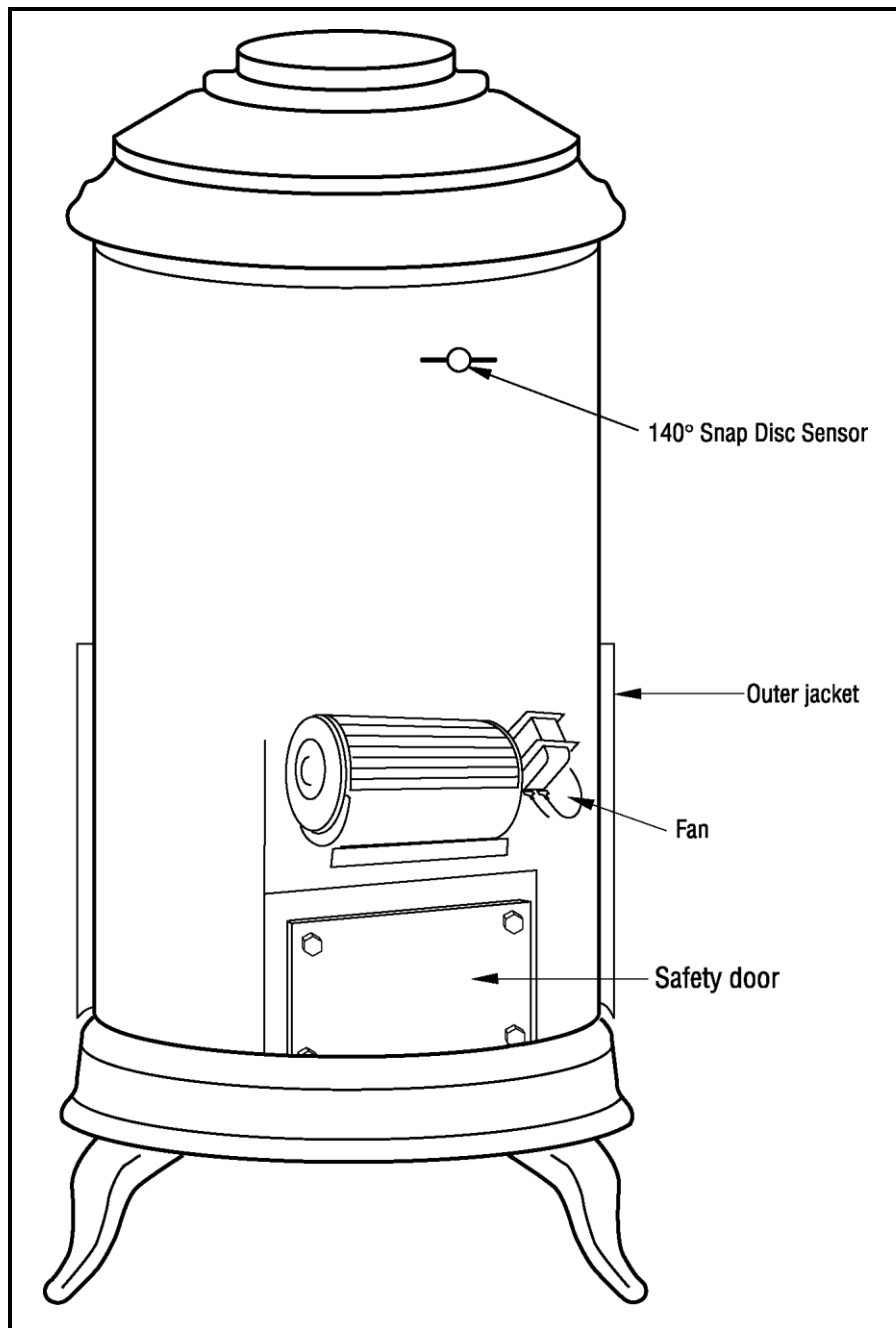
Thelin Hearth Products reserves the right to change, without notice, product features or specifications described.

**FIGURE 11 – DIRECTIONS FOR ENABLING DOOR – OPENING & SECURING DOOR**

### Cleaning Glass

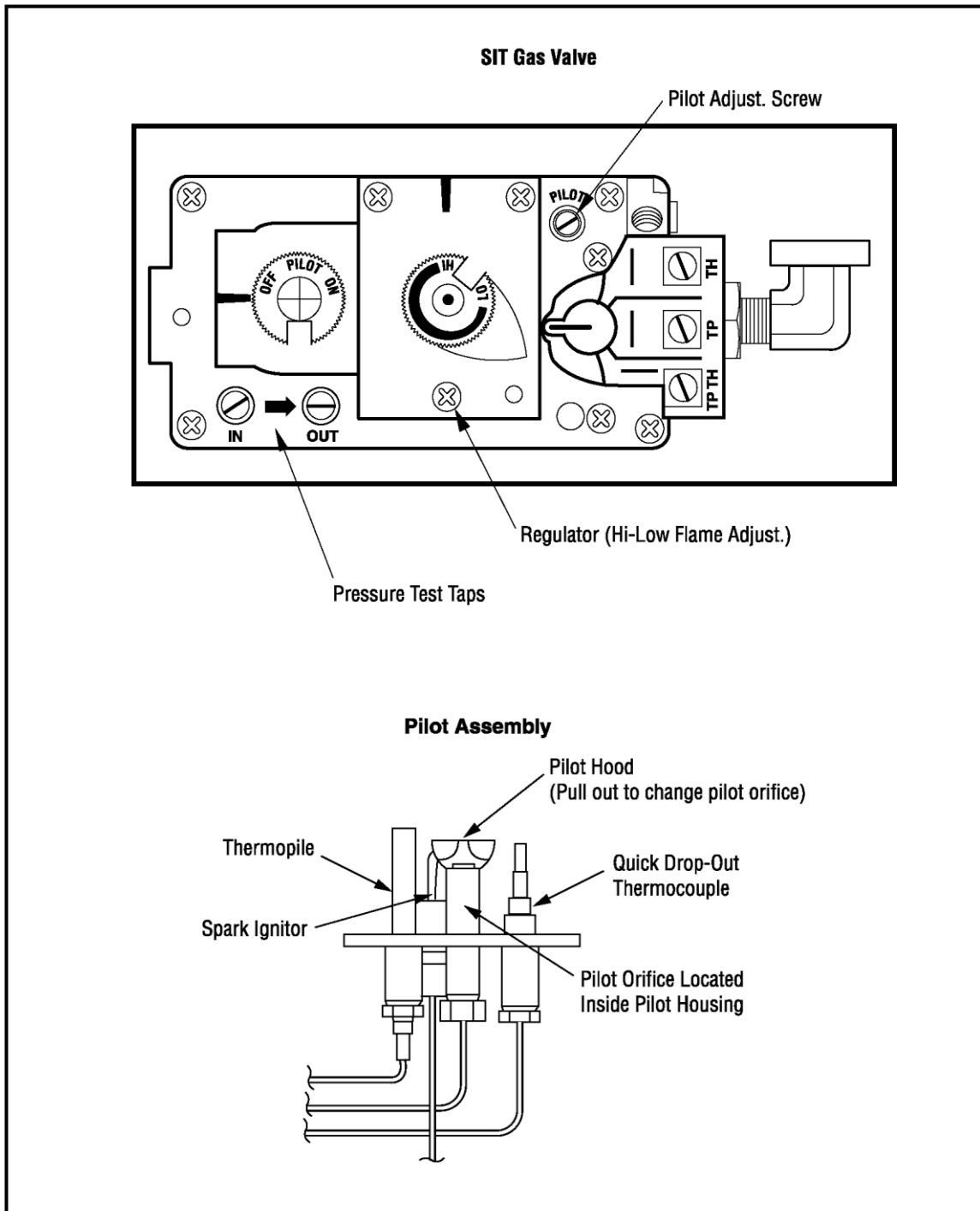
1. Turn off stove and let cool down.
2. Open door and clean glass with glass cleaner (i.e., Windex or similar product) and wipe with soft cloth.
3. Fasten door securely before relighting.



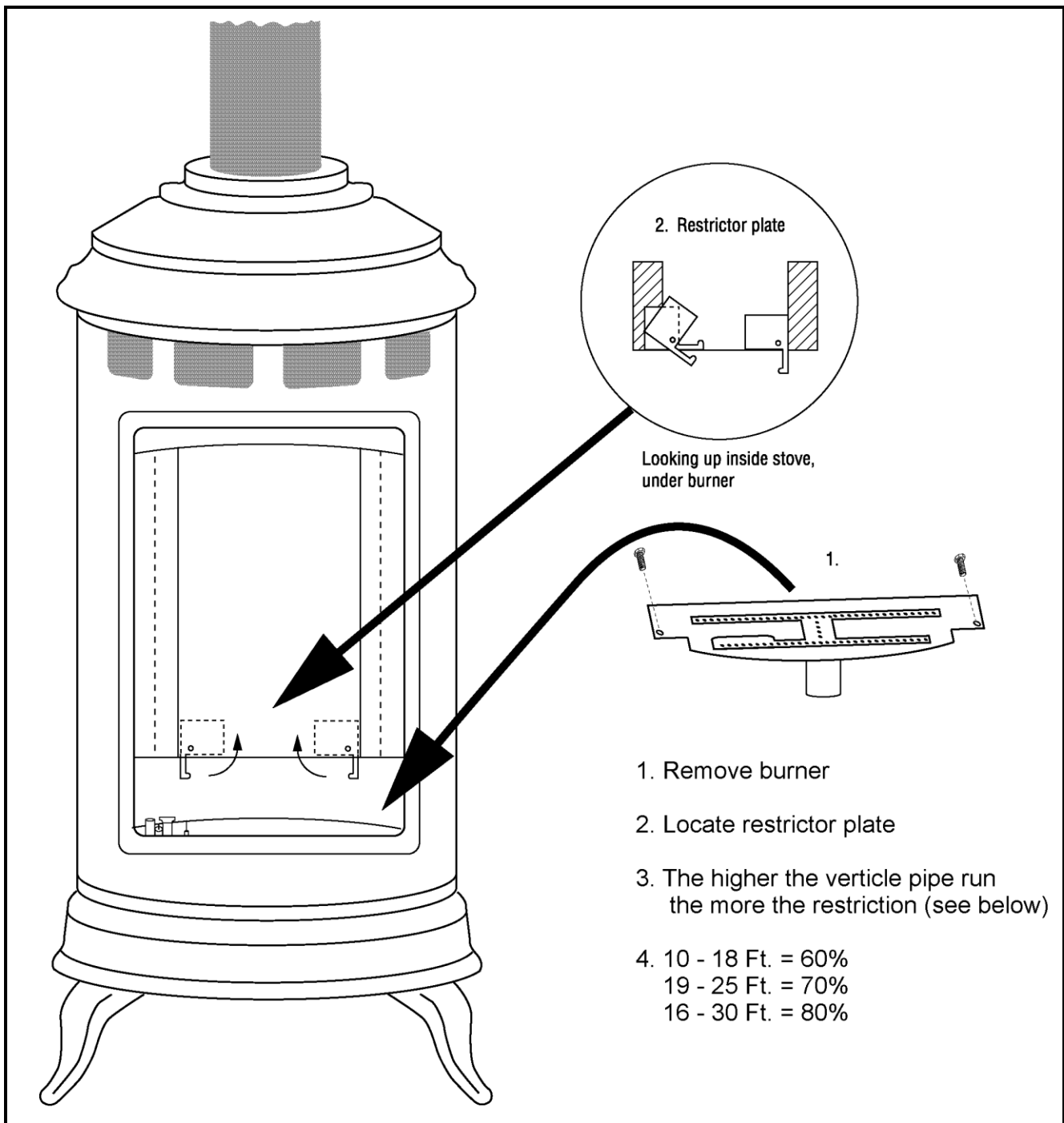
**FIGURE 12 – DELAYED IGNITION SAFETY DOOR**

This unit is equipped with a safety door system that will prevent damage if the stove ignites with delayed combustion. If this happens, have a qualified service person determine the cause of the delayed ignition.

FIGURE 13- GAS VALVE AND PILOT ASSEMBLY



## APPENDIX A- VERTICAL PIPE INSTALLATION AIR INTAKE RESTRICTOR DISKS



APPENDIX B – GNOME STOVE WITH BURNER

